

**FOR ALL TECHNICAL INFORMATION  
WARRANTY AND SPARE PARTS PLEASE CALL (02) 4627 0777**

This material is copyright C 2006 Oldfields Pty Ltd. Apart from any use as permitted under the Copyright Act 1968, all other rights are reserved. You may download, store in cache, display, print and reproduce the material in unaltered form only (retaining this notice, or links to it where they appear) for your personal, non-commercial use. You are not permitted to re-transmit, distribute or commercialise the information or material without seeking prior written approval from Oldfields Pty Ltd. Requests for further authorisation should be directed to: Copyright Administrator, Oldfields Pty Ltd, 8 Farrow Road, Campbelltown, NSW 2560 Australia.

**10 YEAR WARRANTY**



**In addition to any implied warranties as provided by the Trade Practices Act, Treco sheds are warranted for a period of 10 years from the date of purchase as follows:**

1. Zinc and galvanised panel materials will not rust.
2. Coloured panel materials will not rust, check, crack, flake, peel or blister.

**This additional warranty is subject to the following qualifications and limitations:**

1. The warranty Certificate (attached) must be completed and returned to Treco within 21 days of purchase.
2. Warranty only applies if shed is used solely as a domestic shed and installed in accordance with the Owner's Manual.
3. Warranty does not apply if shed is installed in ocean surf locations or severe industrial or unusually corrosive environments.
4. Warranty is for the benefit of the original purchase and is not transferable.
5. Warranty does not cover fasteners or door guides.
6. Warranty applies to the exclusion of all other representations, guarantees or warranties, express or implied otherwise required by applicable legislation.

**WARRANTY CERTIFICATE**



NAME.....

ADDRESS .....

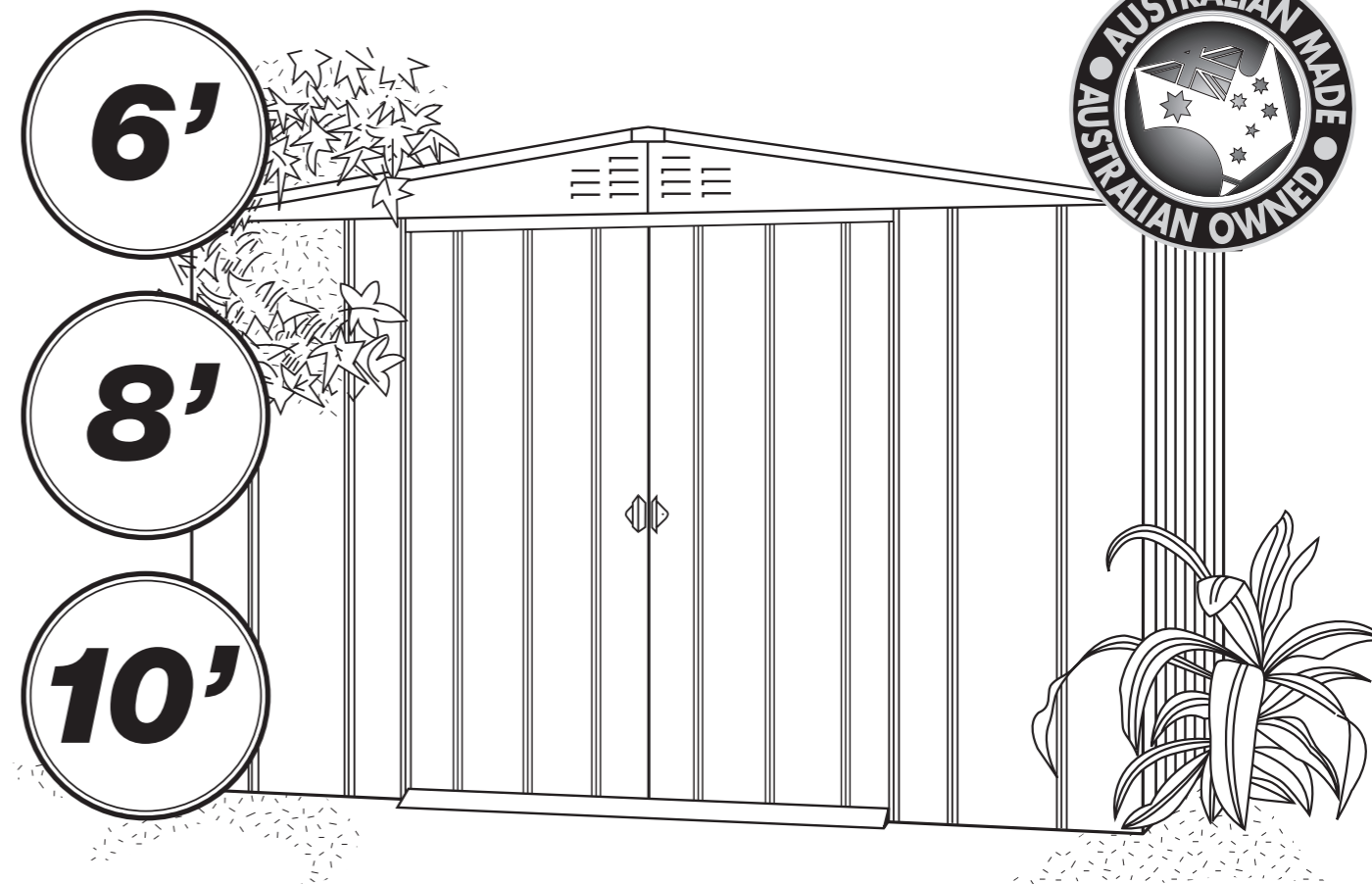
SHED MODEL No. ....

WHERE PURCHASED (STORE & ADDRESS) .....

**I Use my Treco Shed primarily for:**

- Work Shop     Cubby House     Garden Shed (storage)     Pool Change Room     Other

**I choose a Treco shed over the others because:**



**GARDEN SHEDS**

**63, 65, 67, 69, 83, 85, 87, 89, 103, 105, 107, 108 & 109**

**OLDFIELDS PTY. LTD.** A.C.N. 000 034 346

**For Information on your local Oldfields Treco stockist**

OLDFIELDS TRECO RESERVE THE RIGHT TO VARY DESIGNS AND MATERIAL SPECIFICATIONS WITHOUT NOTICE.

X16 PREM - 27/03/07

TRECO SHEDS ARE MANUFACTURED TO COMPLY WITH ALL AUSTRALIAN STANDARDS

Please visit the manuals section at our website for any updates or corrections to this manual

[www.oldfields.com.au/treco/index.htm](http://www.oldfields.com.au/treco/index.htm)

X16 PREM - 27/03/07

# INSTALLATION ADVICE

When you first unpack your shed, construction may look complicated ... but it really isn't. Simply follow the illustrated instructions and your Garden Shed will be erected quickly and accurately.

THIS MANUAL WILL BE USED FOR THE FOLLOWING GARDEN SHED MODEL NUMBERS						
MODEL	APPROX. ROOF DIMENSIONS		OVERALL HEIGHT		APPROX. BASE DIMENSIONS	
	(feet)	(millimetres)	(inches)	(millimetres)	(feet)	(millimetres)
63	6' x 3'	1830 x 920	75	1930	5'7" x 2'9"	1710 x 820
65	6' x 5'	1830 x 1540	75	1930	5'7" x 4'9"	1710 x 1440
67	6' x 7'	1830 x 2160	75	1930	5'7" x 6'9"	1710 x 2060
69	6' x 9'	1830 x 2780	75	1930	5'7" x 8'9"	1710 x 2680
83	8' x 3'	2450 x 920	77	1980	7'7" x 2'9"	2330 x 820
85	8' x 5'	2450 x 1540	77	1980	7'7" x 4'9"	2330 x 1440
87	8' x 7'	2450 x 2160	77	1980	7'7" x 6'9"	2330 x 2060
89	8' x 9'	2450 x 2780	77	1980	7'7" x 8'9"	2330 x 2680
103	10' x 3'	3070 x 920	79	2030	9'8" x 2'9"	2950 x 820
105	10' x 5'	3070 x 1540	79	2030	9'8" x 4'9"	2950 x 1440
107	10' x 7'	3070 x 2160	79	2030	9'8" x 6'9"	2950 x 2060
108	10' x 8'	3070 x 2450	79	2030	9'8" x 7'7"	2950 x 2330
109	10' x 9'	3070 x 2780	79	2030	9'8" x 8'9"	2950 x 2680

## BEFORE YOU START, IT IS IMPORTANT THAT YOU READ THE FOLLOWING INSTRUCTIONS.

- When **selecting a site**, choose an area that is firm and level yet allows drainage away from the site.
- Although this shed when installed according to instructions, is designed to withstand greater wind loads than other conventional sheds, **do not install it in areas subject to high winds or erect on a windy day**. Any building left partially constructed may be seriously damaged if left in this state. It is your responsibility to safely and securely anchor the shed, having regard to the windiest conditions in the area. The shed could possibly blow away causing damage and possible injury if not properly attached to the ground foundation.
- **Do not backfill** against the walls or base of the shed as this will cause corrosion and void the warranty.
- The **prevention of condensation** inside the shed will assist in keeping the contents dry as well as minimising any possible corrosion of the shed itself, the following hints may prove useful.

There is always dampness in soil, and this may rise into the shed if there is no barrier. A heavy duty polythene sheet may be placed under the concrete slab to prevent evaporation into the shed, (illustrated in Step A).

Seal the space between the bottom frame and the concrete slab with a mastic (except at the front corners) which does not completely dry out. The front corners are not sealed to enable drainage out of the ends of the front base rail.

If condensation still presents a problem, panels of polystyrene (5cm thick) may be glued to the interior of the roof between the supports. Use a glue that is resistant to moisture and temperature. This has the further advantage of keeping your shed cooler on hot summer days.

- Check the labels on the packs to ensure you have the model shed you ordered and the correct number of packs.
- **You will need a few tools**, and some extra equipment which may prove useful to make assembly faster and easier (these are indicated in the section HOW TO READ THIS MANUAL). **All holes for screws are predrilled**. A power screw driver or cordless drill equipped with a magnetic Philips tip will hasten assembly. Take care not to over-tighten self-tapping screws.
- Sort, separate and identify all parts and hardware before construction. Check against the illustrations shown at the top of each step illustrated in this manual. Pieces are labelled except for panels, check with the labelling on the diagrams shown. Not all drawings are to scale since some have been enlarged to enable easier viewing in comparison to other pieces.
- Since this manual is used to instruct installation of varying sizes of shed, **Labelling of Parts** in the diagrams has been simplified as follows:  
All the frame work components have the same system of part numbers but indicate different lengths, these part numbers are stamped into the component.  
e.g. Roof Beams            9 foot length = **P9**,    7 foot length = **P7**,    5 foot length = **P5**,    3 foot length = **P3**  
Therefore, in the diagrams the Roof Beam is labelled **P**.  
e.g. Rear Midwall Brace    10 foot length = **G1A**,    6 foot length = **G6A**  
Therefore, in the diagrams the Rear Midwall Brace is labelled **G.A**.

- **Most helpful of all, get a friend or family member to help you.**

# STEP 8

## FIXING DOORS AND FASCIA

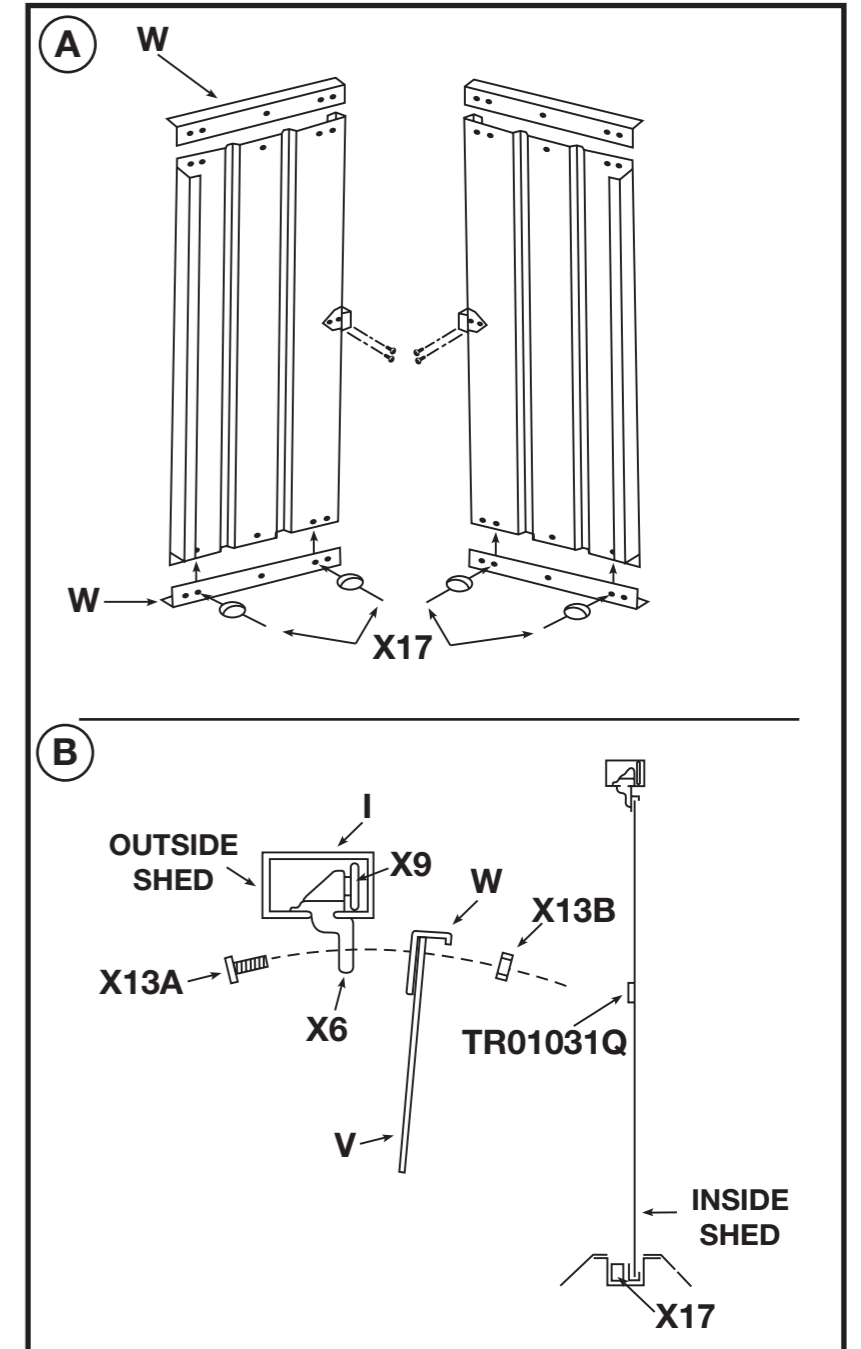
### Doors

### Fascia

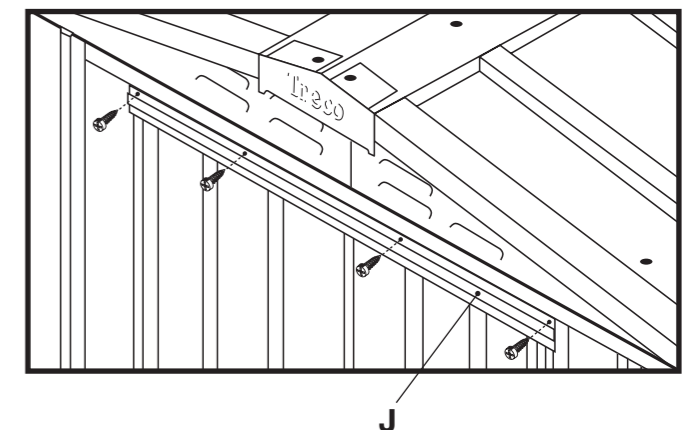
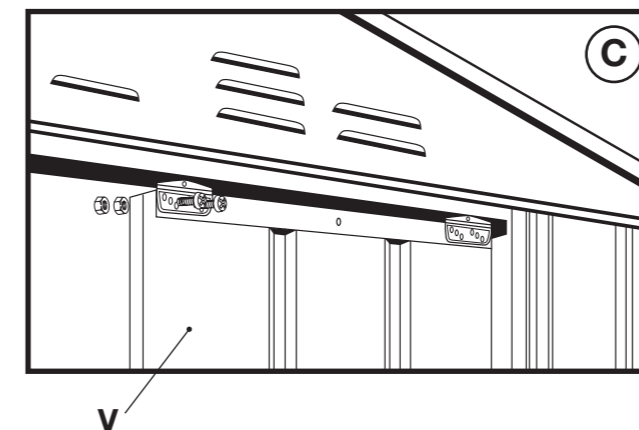
**Note:** Dynabolt base rails to concrete before fitting doors.

Construct doors as shown in diagram **A**.

Fix doors to shed as shown in diagram **B/C**.

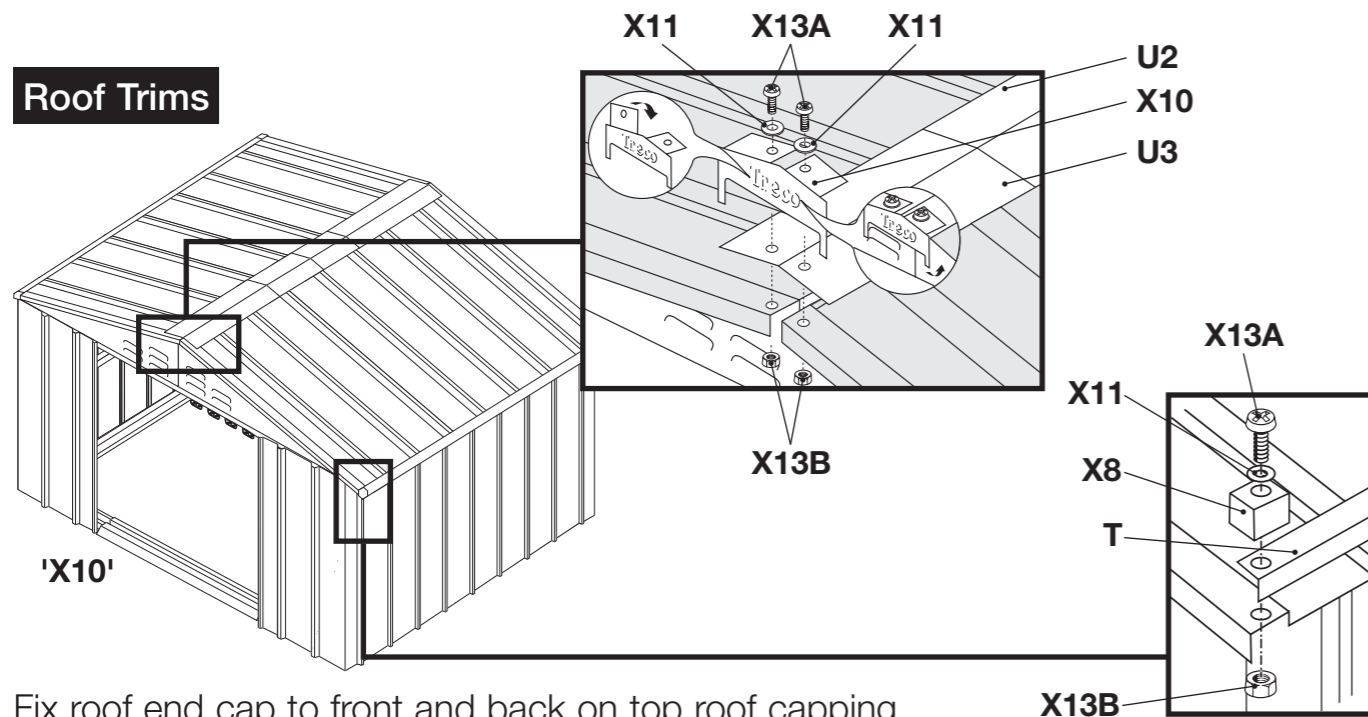


After fixing and adjusting the doors attach the door handles and finally the fascia 'J' to front gable rail.



## STEP 6 - Continued

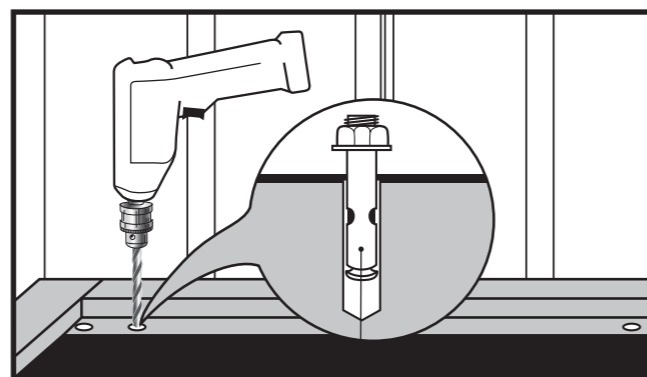
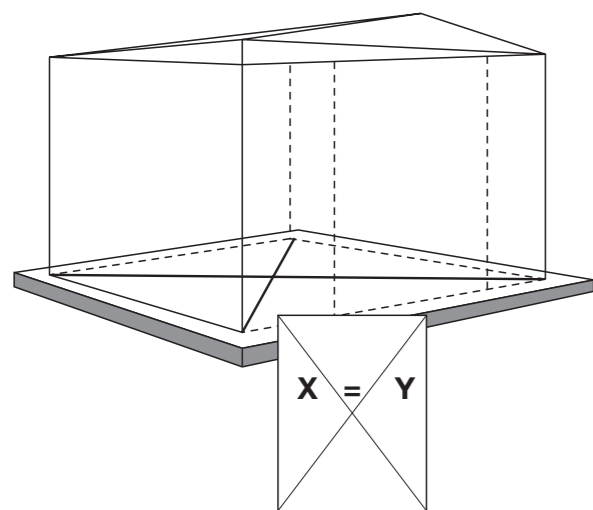
### Roof Trims



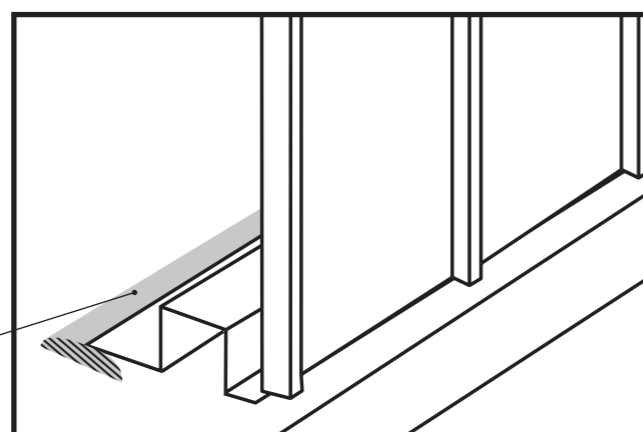
Fix roof end cap to front and back on top roof capping.  
Fix roof edge trim 'T' to side of roof with corner caps 'X8' to each corner.

## STEP 7

### DYNA-BOLTING BASE RAILS TO CONCRETE AND SEALING FLOOR



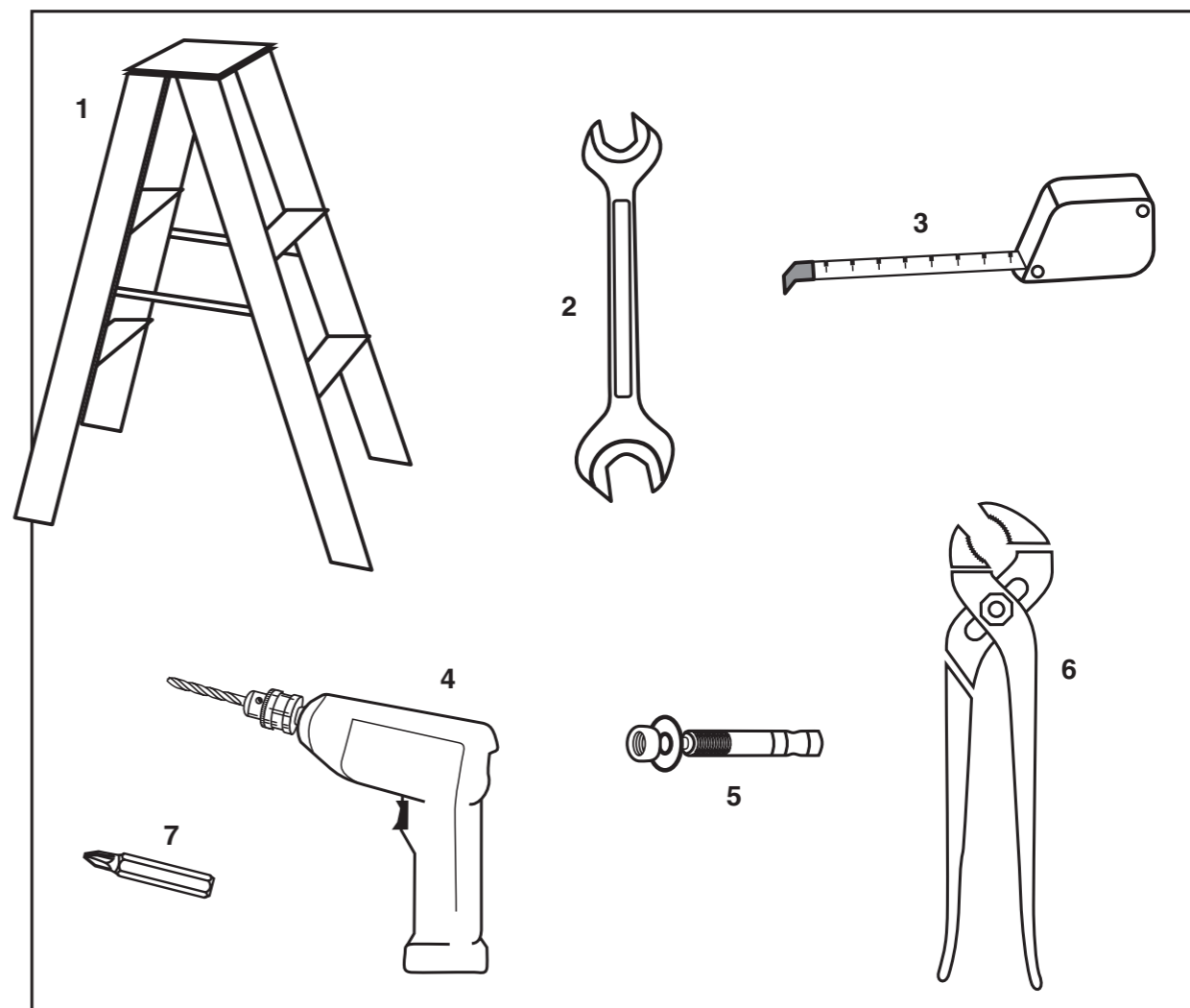
6.5mm x 36mm Dynabolt



Seal with silicone on inside of base frame after bolting down shed.

Place silicone inside shed between base rail and floor

## TOOLS REQUIRED



**Note:** All the tools listed are required for the erection of the garden shed. These tools should be at hand before starting work.

1. Step ladder
2. Spanner
3. Tape measure
4. Cordless power screw driver or power drill
5. Dyna bolts (not supplied) 6.5mm x 36mm recommended
6. Multi grips
7. Philips-head screw driver bit (P2)

**SORT, SEPERATE AND IDENTIFY ALL PARTS AND HARDWARE BEFORE CONSTRUCTION.**

**CHECK AGAINST THE PART ILLUSTRATIONS SHOWN ON PAGES 5 AND 6.**

# IMPORTANT INSTRUCTIONS

## STEP A - FOUNDATION

A solid foundation is required. Construct a level concrete slab, reinforced with 5mm diameter x 200mm grid wire mesh. Allow 5 days minimum curing time before erecting your shed. You may select other methods of constructing a solid base using paving slabs or timber if desired, but please ensure it is level and provides secure anchorage.

### 1 BASE RAILS

Two corner gussets (X20) are used to attach the base rails in the rear corners only. Ensure that the base is square.

### 2 CORNER PANELS

Bend the corner panels carefully to 90° angle. Ensure that the longer side of the panel is pointing along the width (i.e. front / back) side of your shed.

### 3 TOP RAILS / DOOR GLIDES

Ensure wheels face inside of shed.

### 4 MIDWALL BRACES

Use corner gussets (X20) on the back corners only.

### 5 WALL PANELS

Assemble all panels shown. No wall panels are used on the front of the shed (door side).

### 6 GABLES

Assemble the roof beam brackets (X15A for all 10' Models), onto the gables in the positions and direction shown.

### 7 ROOFBEAMS

Position 2 roof beam sections 'P' back to back and connect. Ensure roof panel holes are parallel.

### 8 ROOF END PANELS

Fasten the roof end panels to the gables. Then fasten them to the roof beam using the self tapping screws and plastic washers. Fasten in order shown in diagram.

### 9 ROOF PANELS

Fasten the roof panels ensuring that you work down along one side of the roof. Then, starting at the other side, fix one roof panel, followed by a ridge capping, continuing until the roof is complete. Be sure to use the plastic washers.

### 10 ROOF EDGE TRIM AND ACCESSORIES

Connect the roof accessories to cover sharp edges.

### 11 ANCHORING

Your shed must be anchored down. Ensure that your shed is square. Using a masonry drill bit (6.5mm diameter), drill through the holes provided in the base rails. Anchor your shed using 6.5mm diameter x 40mm long dyna bolts. Before fixing doors.

**NOTE:** These bolts are not supplied with the hardware kit.

### 12 DOORS

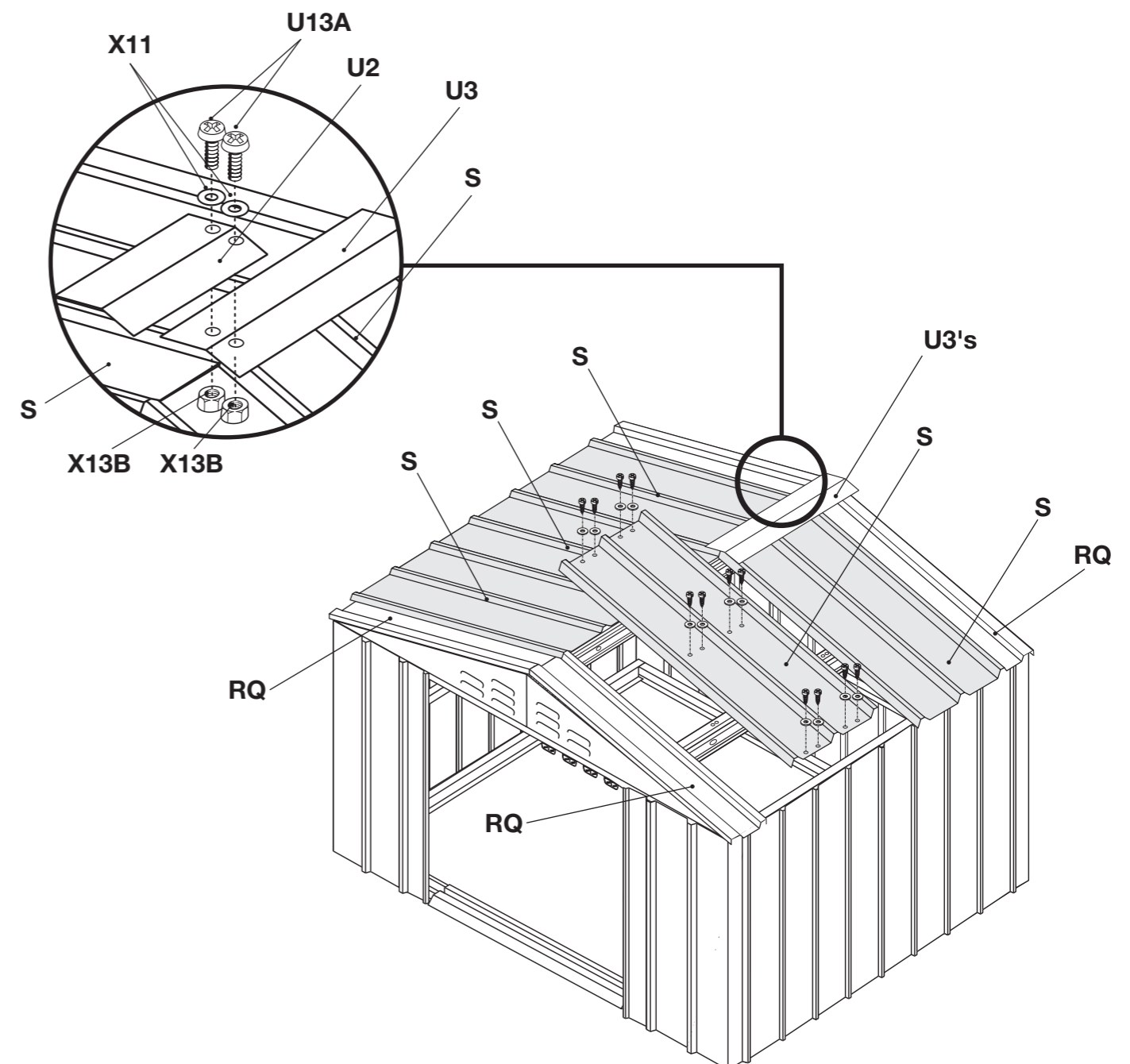
Both the door panels are identical - it is the assembly that makes them left and right handed. Lay the doors on the ground so that the handle position holes are facing each other (i.e. at the centre, as they would be when assembled). Note that the ribbing on the doors faces towards the inside of the shed (i.e. they are the opposite of the wall panels). Use the three holes on the door glides to adjust the door alignment.

# STEP 6 - Continued

## Roof Panels

## Roof Capping

1. Starting at the back fix all roof panels 'S' to one side of shed, overlapping parts 'RQ'.
2. After completion of one side fix back roof panels 'S' on other side. Fixing 'U3' and 'U2' capping **as you progress**.
3. **Note:** 'U3' capping are to be placed on front and rear of roof. Intermediate roof sheets require 'U2' capping.



# STEP 6

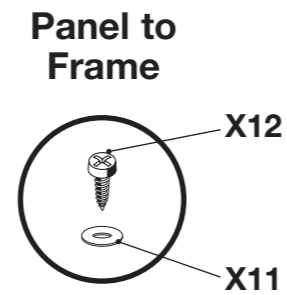
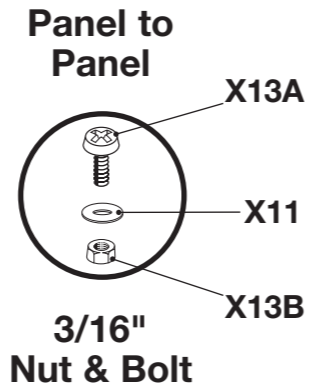
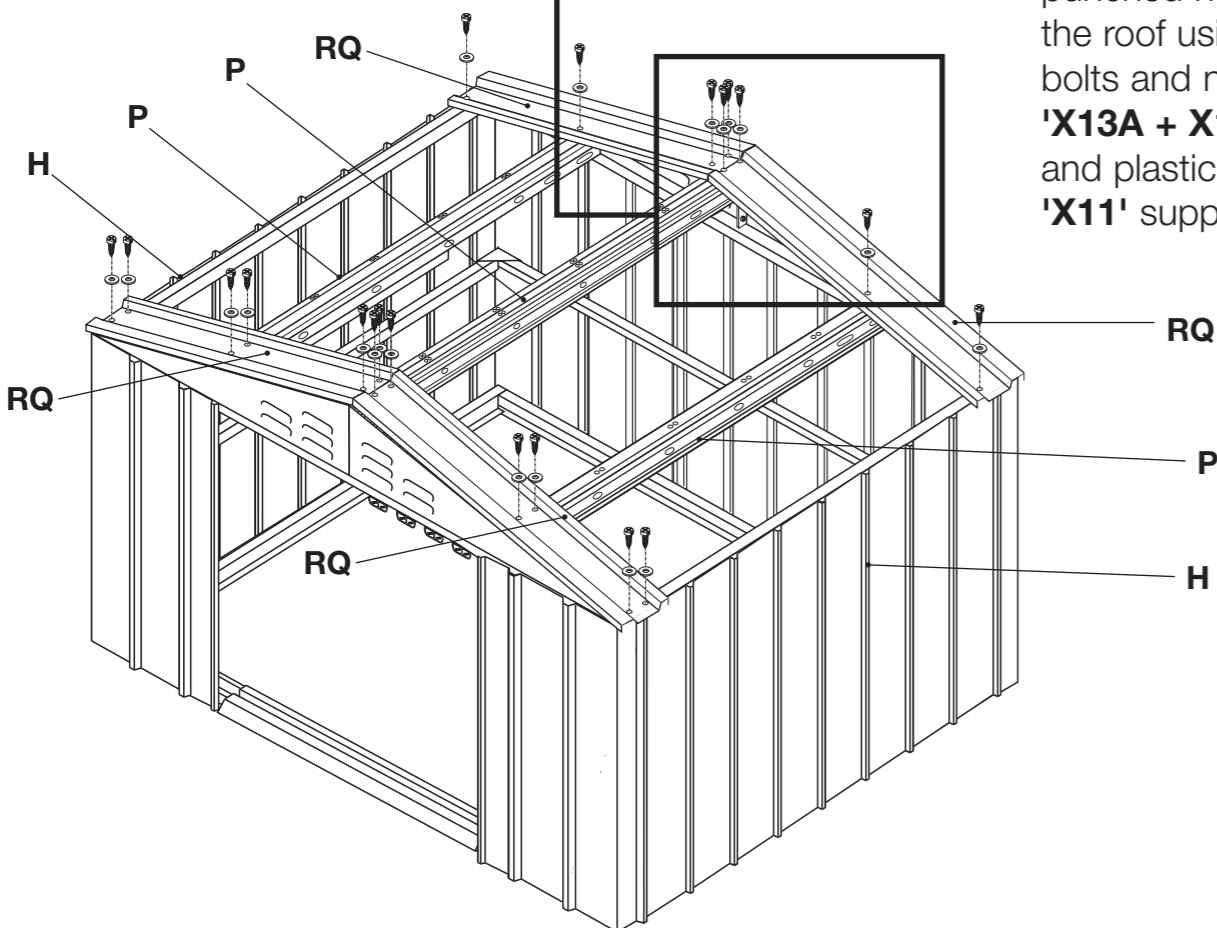
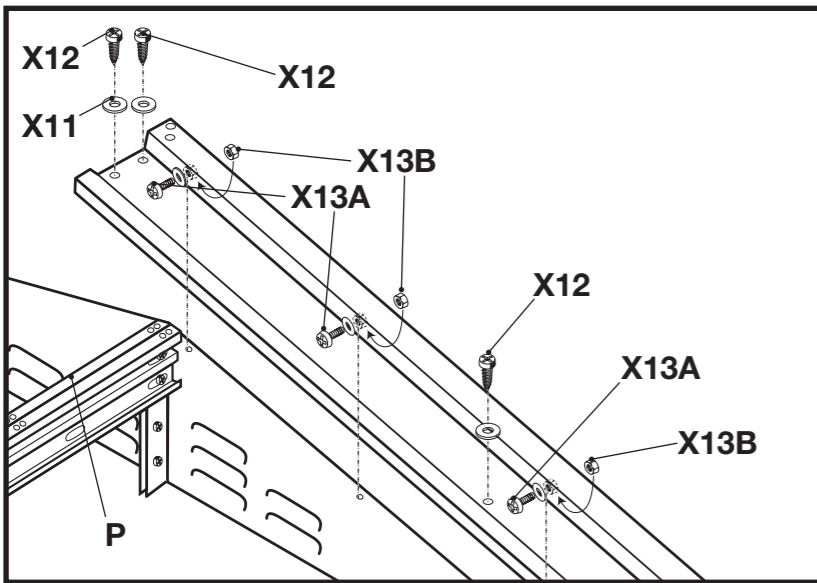
## INSTALLING ROOF END PANELS, ROOF PANELS, ROOF CAPPING AND TRIMS

### Roof End Panels

All fasteners on roof need washers 'X11' attached.

Fix roof ends 'RQ' with bolts & washers from top of apex to the side wall, as shown in diagram.

Fix screws & washers to roof beam(s) 'P' and side rails 'H'.



**Note:** Please seal all un-used pre-punched holes in the roof using 3/16" bolts and nuts 'X13A + X13B' and plastic washers 'X11' supplied.

# PARTS LIST

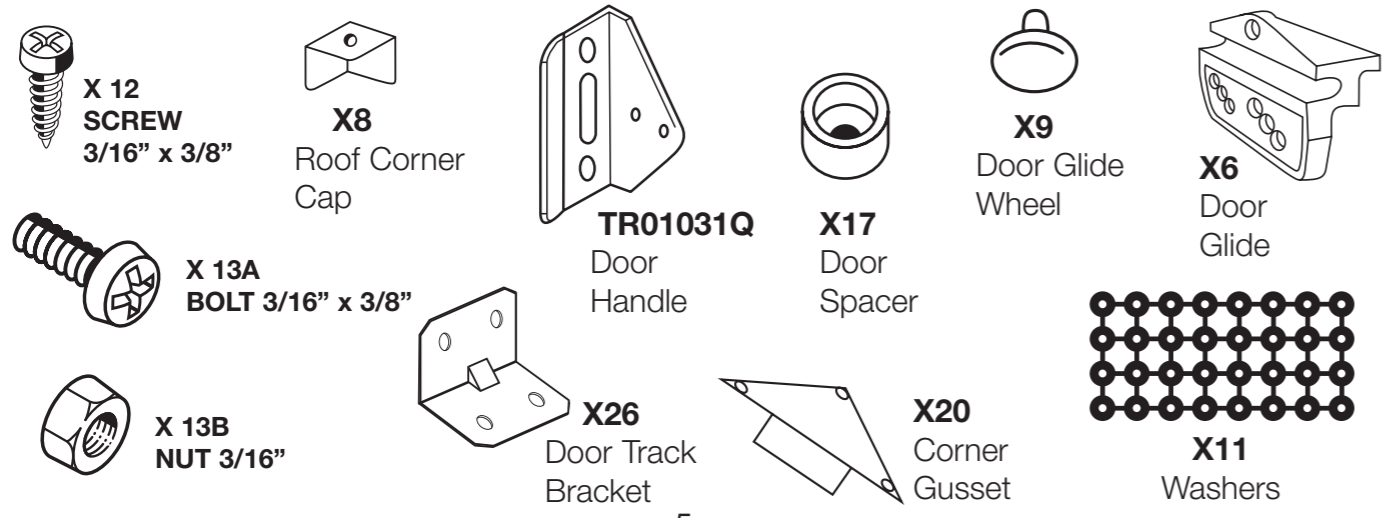
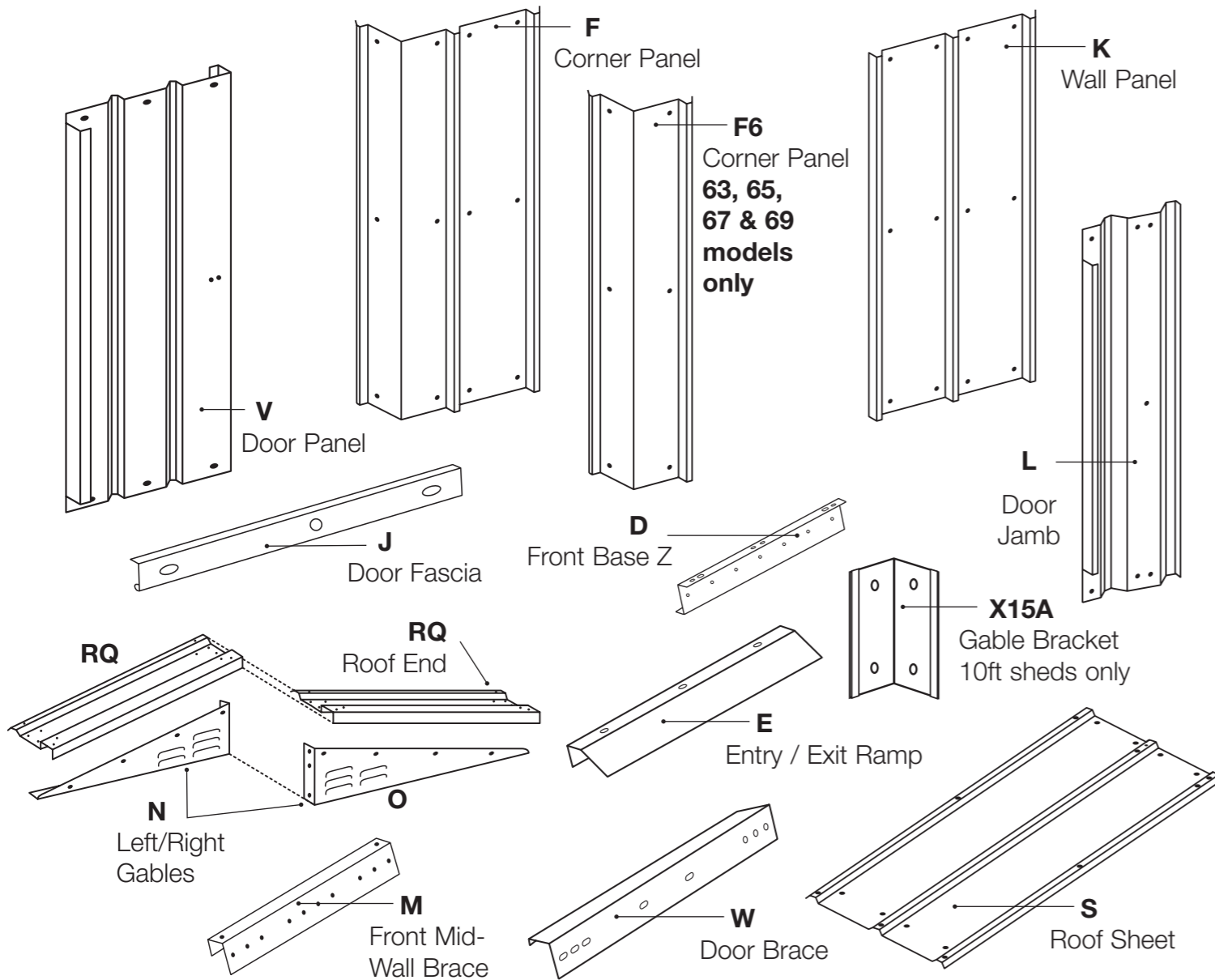
PART		6'	8'	10'
		Qty	Qty	Qty
Corner panel	F	2	4	4
Half Corner panel	F6	2	-	-
Door Brace	W	4	4	4
Door Fascia	J	1	1	1
Door Jamb	L	2	2	2
Door panel	V	2	2	2
Entry/Exit Ramp	E	2	2	2
Front Base Zed	D	2	2	2
Front Mid-Wall brace	M	2	2	2
<b>Hardware:</b>				
Kit Bag	X	1	1	1
Corner Gusset	X20	4	4	4
Door Glide	X6	4	4	4
Door Glide Wheel	X9	4	4	4
Door handle	TR01031Q	2	2	2
Door Spacer	X17	4	4	4
Door Track Bracket	X26	NA	NA	NA
<b>Owner's Manual</b>	X16	1	1	1
Ridge End Cap	X10	2	2	2
Roof Corner Cap	X8	4	4	4
Roof Washer Sheet	X11	4	4	4
10' Roof Beam Bracket	X15A	-	-	4
Self Tapping Screws	X12	400	400	400
3/16" Dia. Bolts & Nuts	X13	150	150	150
Left-hand Gable	N	2	2	2
Roof End Panel	RQ	4	4	4
Right-hand Gable	O	2	2	2
Roof Panel	S	Variable		
Wall panel	K	Variable		
Door Track/Rear Top Rail	I	2	2	2
Front Base Rail	C	1	1	1
Rear Base Rail	A	1	1	1
Rear Mid-Wall Brace	GA	1	1	1
Ridge Cover End Capping	U3	2	2	2
Ridge Cover Inter Capping	U2	Variable		
Roof Beam	P	2	2	4
Roof Edge Trim	T	Variable		
Side Base Rail	B	2	2	2
Side Mid-Wall Brace	HA	2	2	2
Side Top Rail	H	2	2	2

**Note:** Part codes may be followed with a number eg: **H7**, **B7**. The numbers refer to width and depth of shed. Therefore a **87** shed will have **C8** and **B7**.

# PARTS - Pack 'A'

63, 65, 67, 69, 83, 85, 87, 89, 103, 105, 107 & 109

Refer to parts listing for 6', 8' & 10' model shed labels, sizes and quantities.



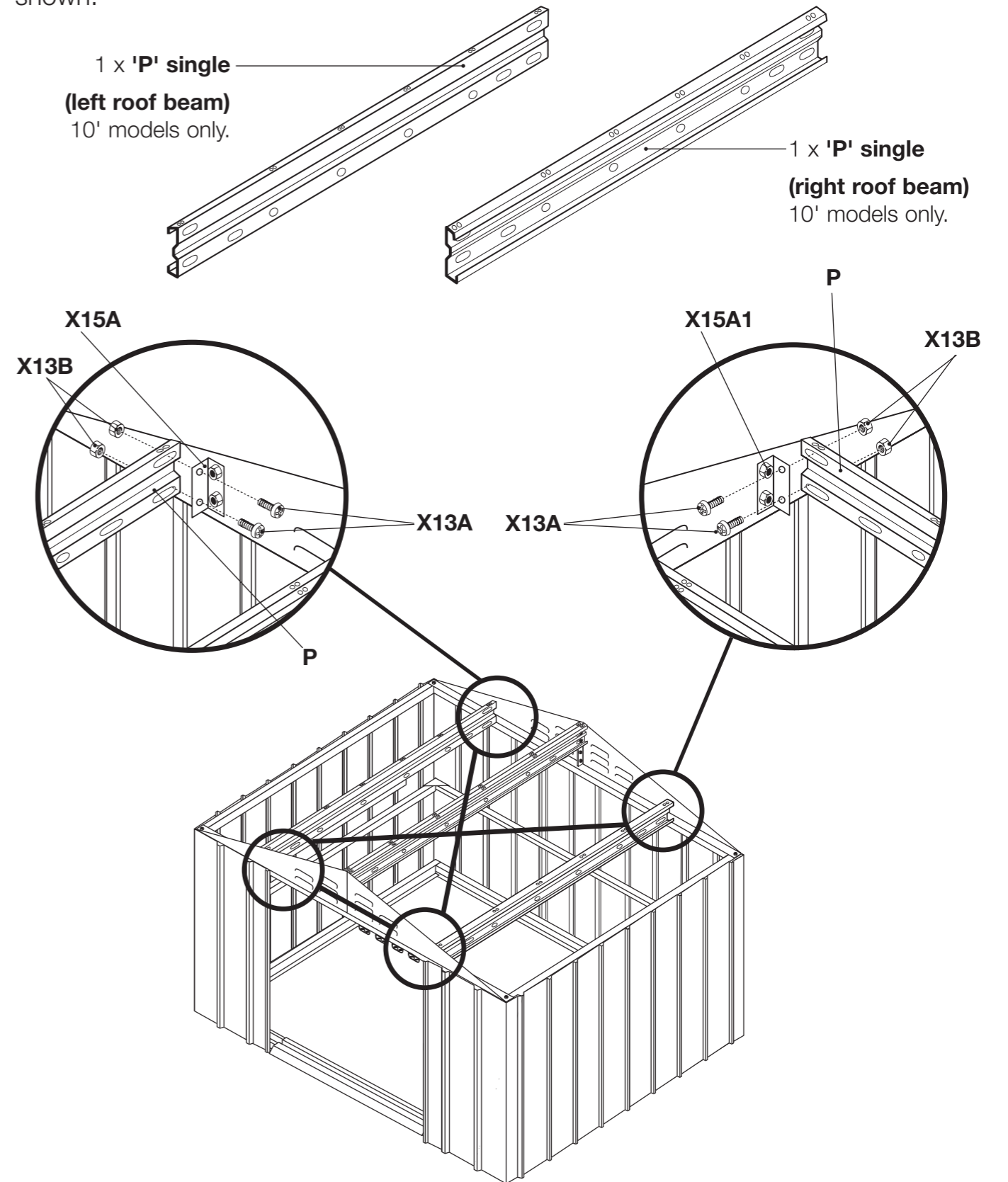
# STEP 5.1 FOR 10' SHED MODELS ONLY

INSTALLING LEFT AND RIGHT ROOF BEAMS

## Left & Right Roof Beam

Quantity of part 'P' = 4 for 10' shed models only.

Use 2 x remaining 'P singles' for left and right roof beams. Follow diagrams as shown.

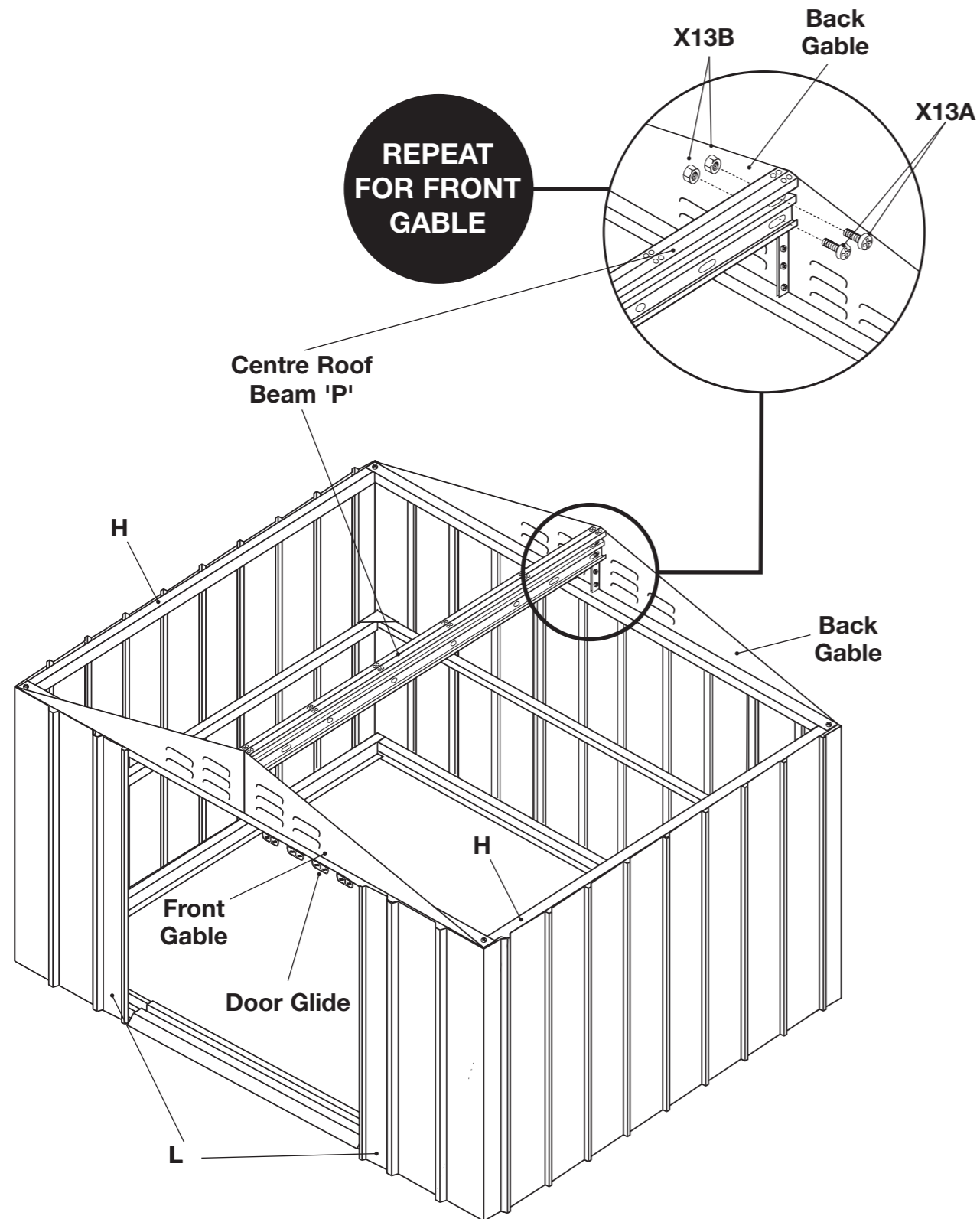


# STEP 5

## INSTALLING CENTRE ROOF BEAM - ALL MODELS

### Centre Roof Beam

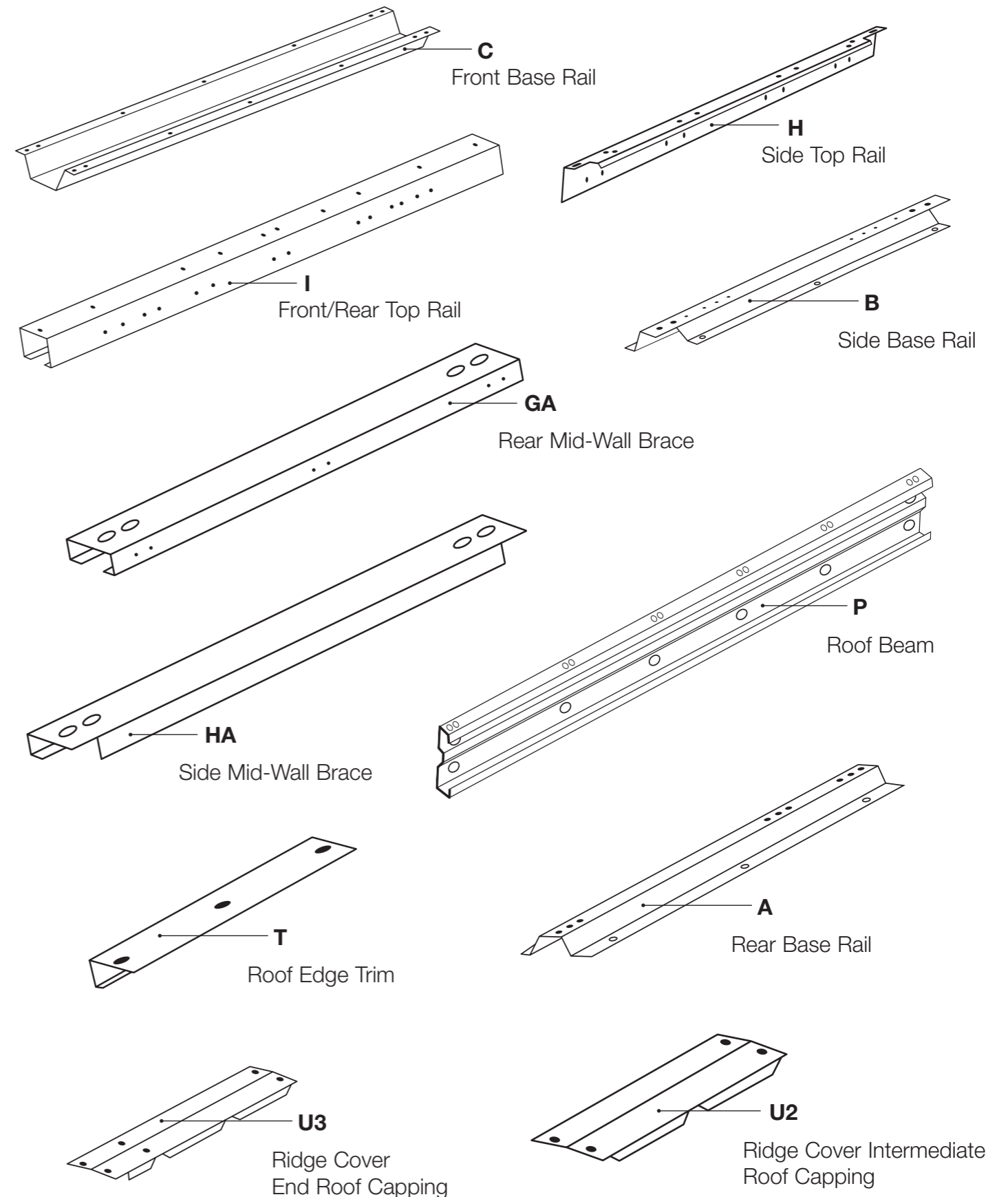
Fix pre-assembled centre roof beam 'P' to top of back and front gables and secure with 2 x 'X13A + X13B' for each gable.



# PARTS - Pack 'B'

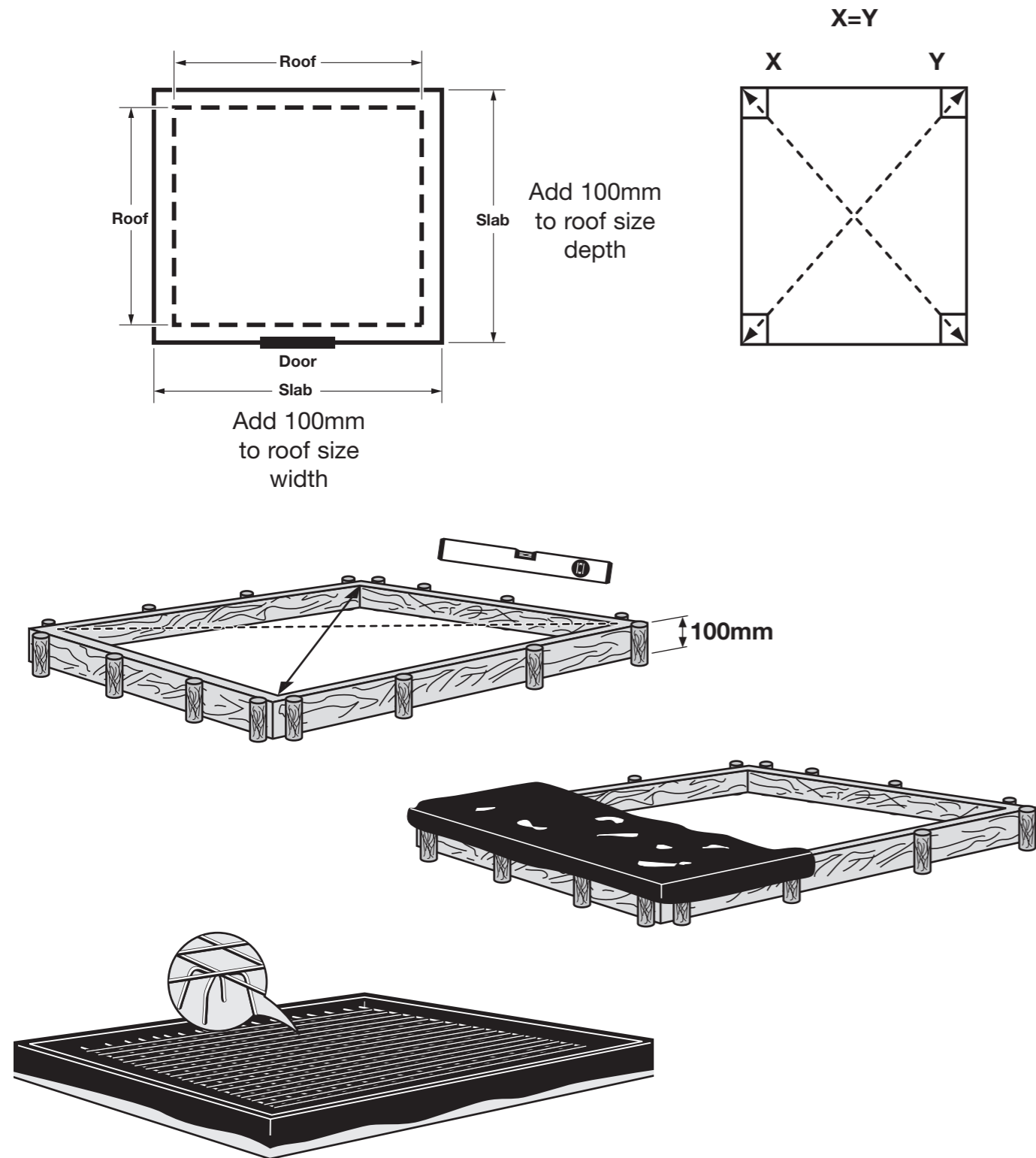
63, 65, 67, 69, 83, 85, 87, 89, 103, 105, 107 & 109

Refer to parts listing for 6', 8' & 10' model shed labels, sizes and quantities.



# FOUNDATIONS

**Note:** Adding 100mm from the roof size to the foundation dimensions prevents water falling from the roof digging a trench and splashing soil against the side of the shed.  
 From work for the slab must be level, 100mm thick and with reinforcing steel mesh.  
 Check slab is square by measuring diagonal corners as in the diagram. X=Y.  
 Lay builders film (Polythene) on ground as a barrier from moisture in the ground.  
 Ensure steel mesh is raised off the polythene (approximately half way of thickness of slab) before pouring concrete.  
 Allow 5 fine days for concrete to cure.



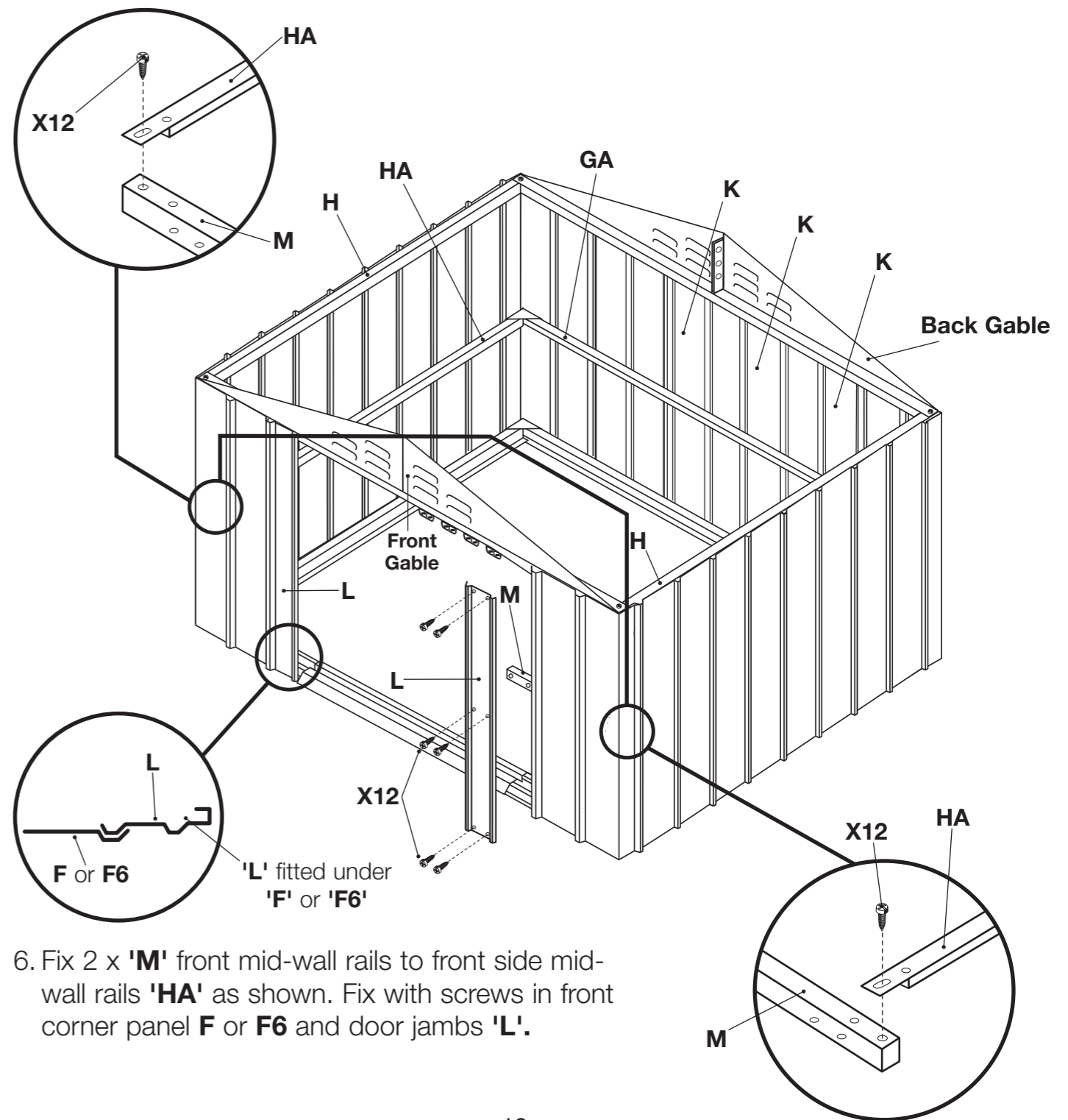
# STEP 4 - Continued

## Back Wall Panels

## Front Mid-Wall Rails

## Door Jambs

- Continue to fix remaining wall sheets 'K' to back of shed.
- Fix door jambs 'L' under the front corner panel 'F' and fix with screws to the front top rail 'I' and base rail 'C' (repeat for both door sides).



- Fix 2 x 'M' front mid-wall rails to front side mid-wall rails 'HA' as shown. Fix with screws in front corner panel F or F6 and door jambs 'L'.

# STEP 4

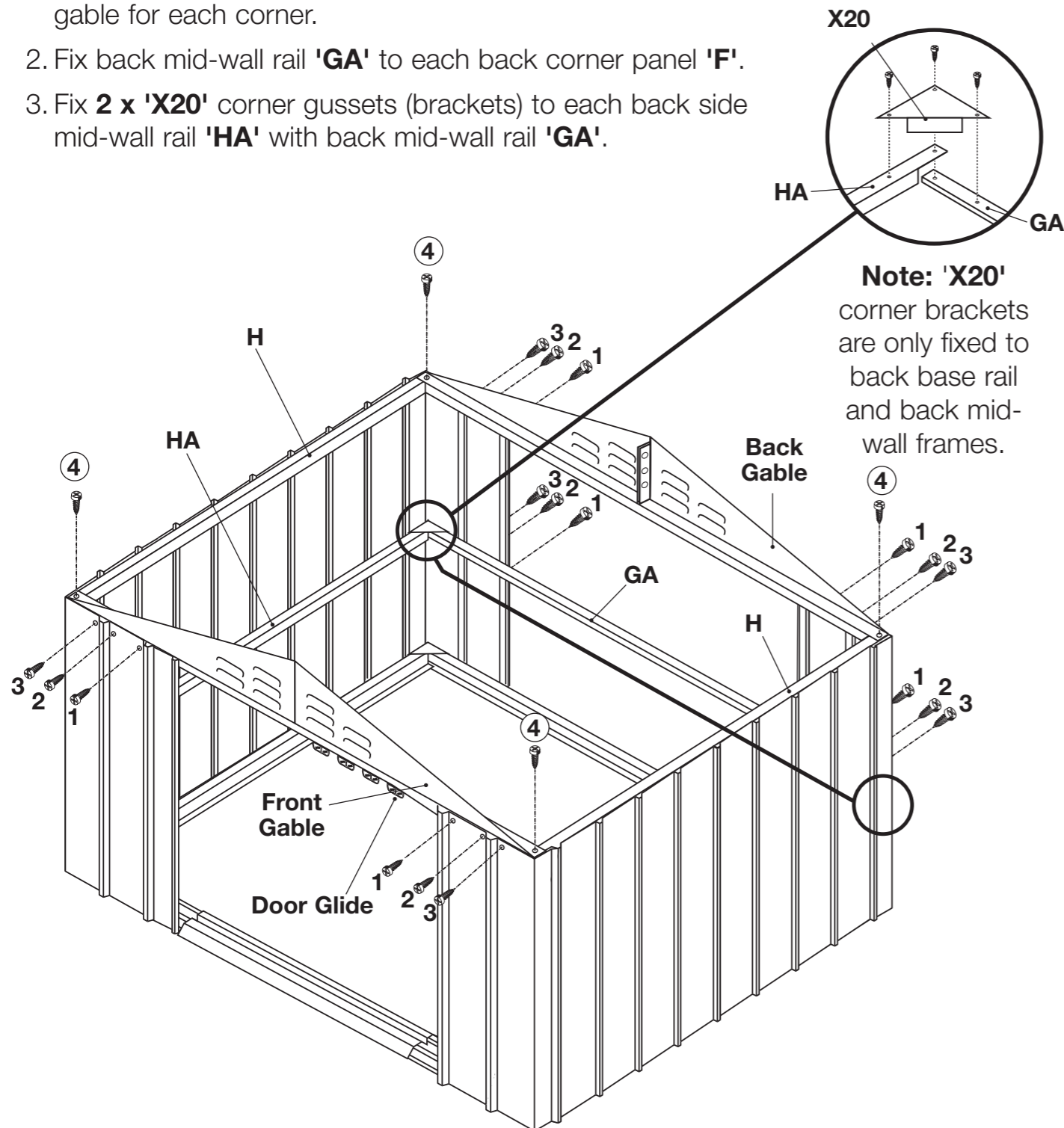
INSTALLING ROOF GABLES, FRONT & BACK MID-WALL RAILS & DOOR JAMBS

## Gables

## Back Mid-Wall Rail

## Corner Gussets

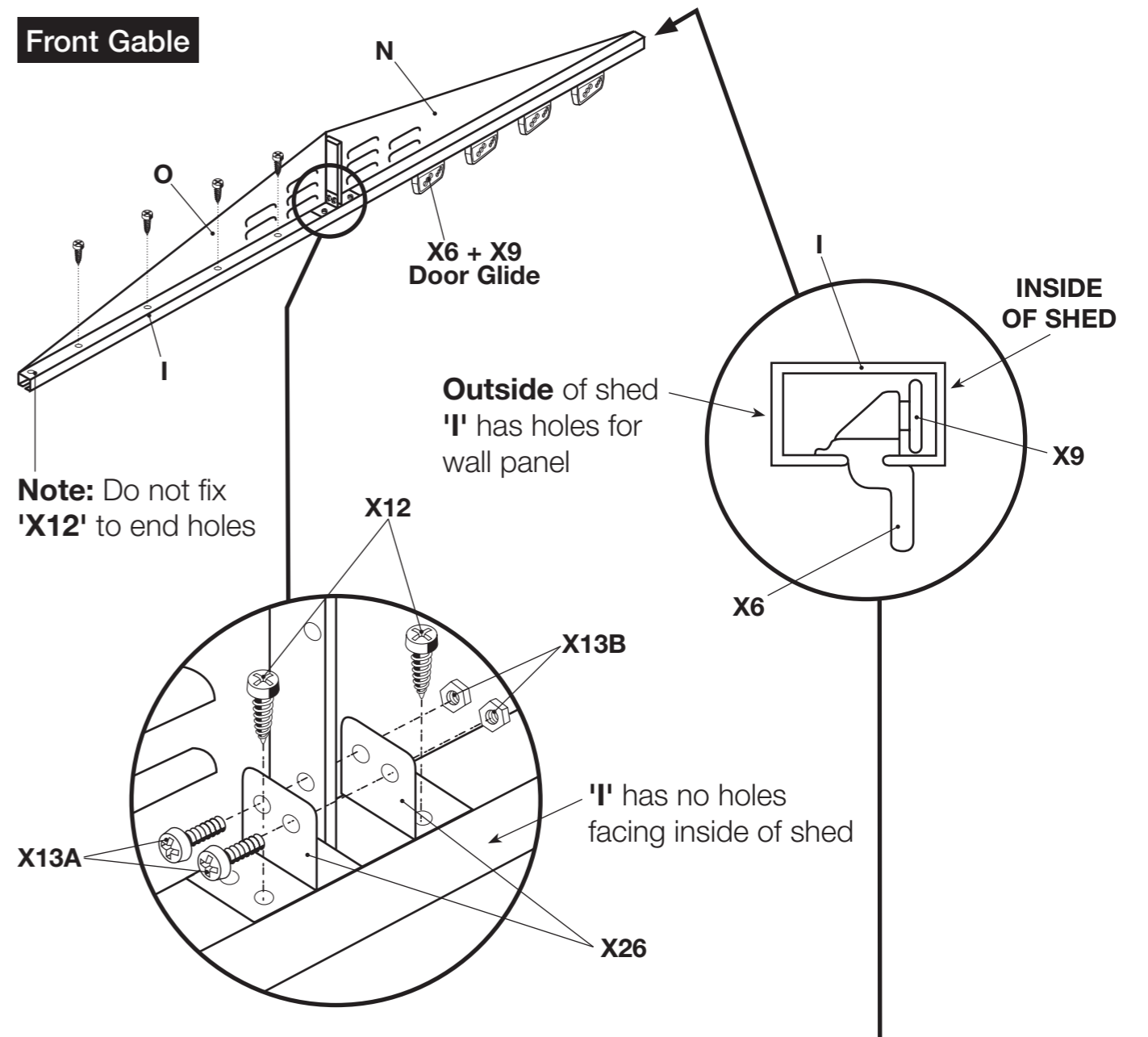
1. Fix with 'X12's the front and back gables to the corner panels 'F'. Fix with 'X12's through the top rail 'H' and gable for each corner.
2. Fix back mid-wall rail 'GA' to each back corner panel 'F'.
3. Fix 2 x 'X20' corner gussets (brackets) to each back side mid-wall rail 'HA' with back mid-wall rail 'GA'.



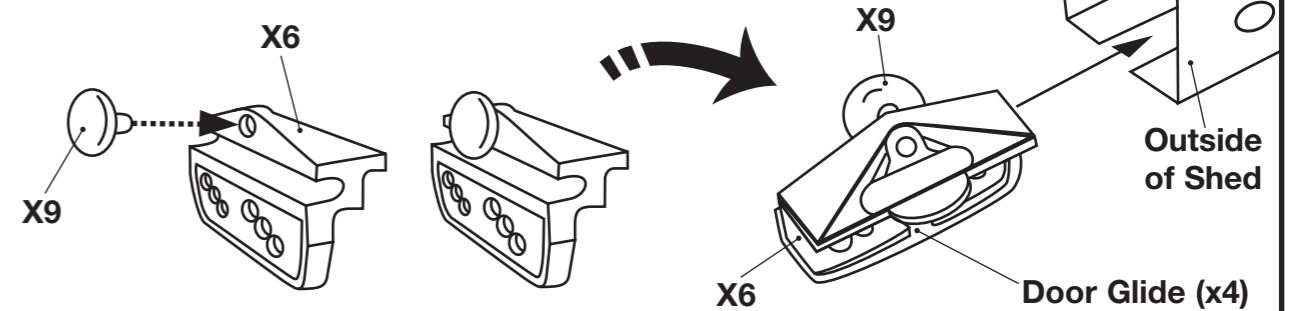
# STEP 1

PRE-ASSEMBLE FRONT AND BACK GABLES, ROOF BEAMS AND FRONT BASE RAIL - BEFORE ERECTING SHED.

## Front Gable



1. Insert 'X9' into 'X6' as shown and repeat 4 times to create 4 x 'Door Glide'.
2. Insert 4 x 'Door Glide' into part 'I' as shown.

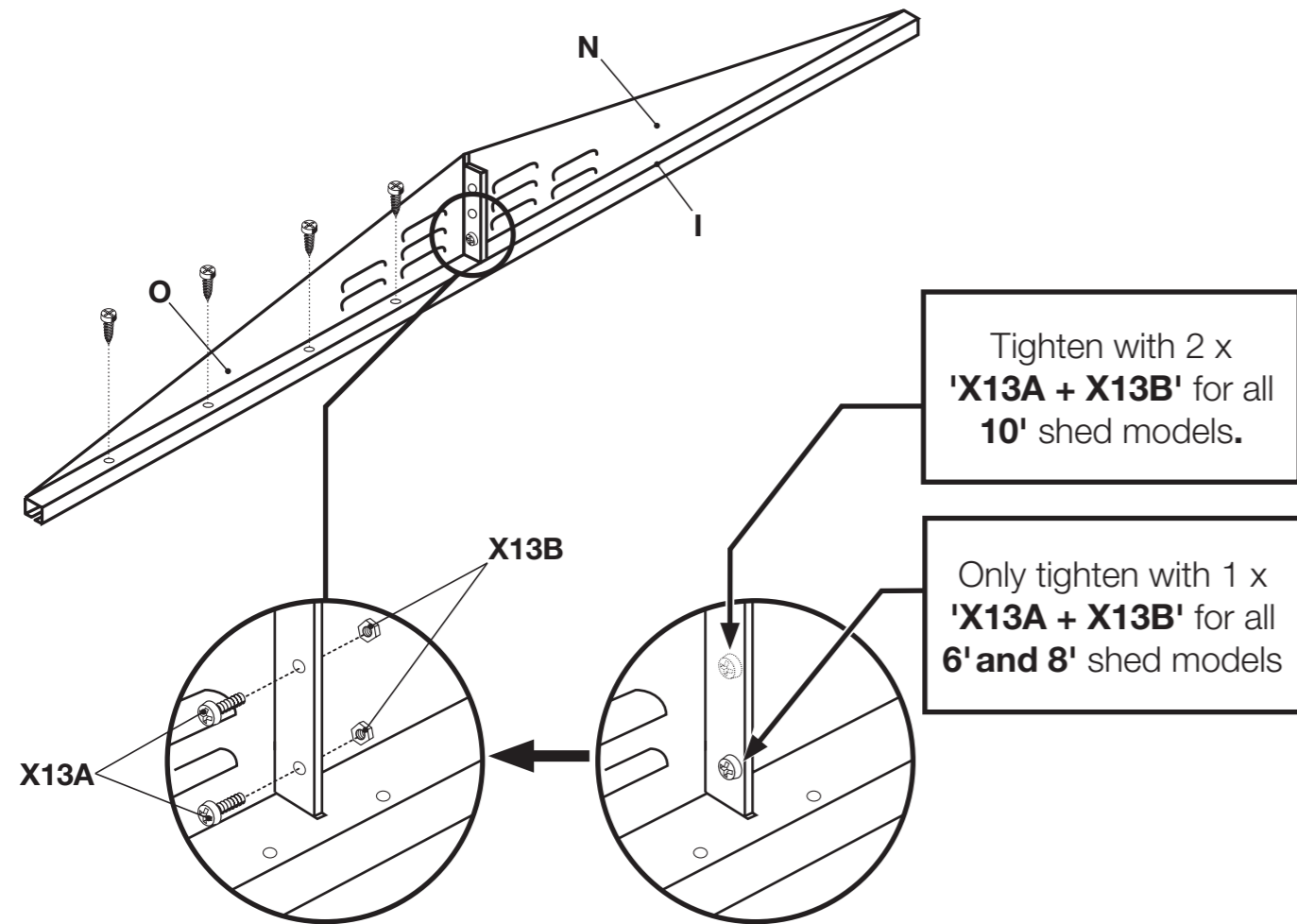


# STEP 1 - Continued

## Back Gable

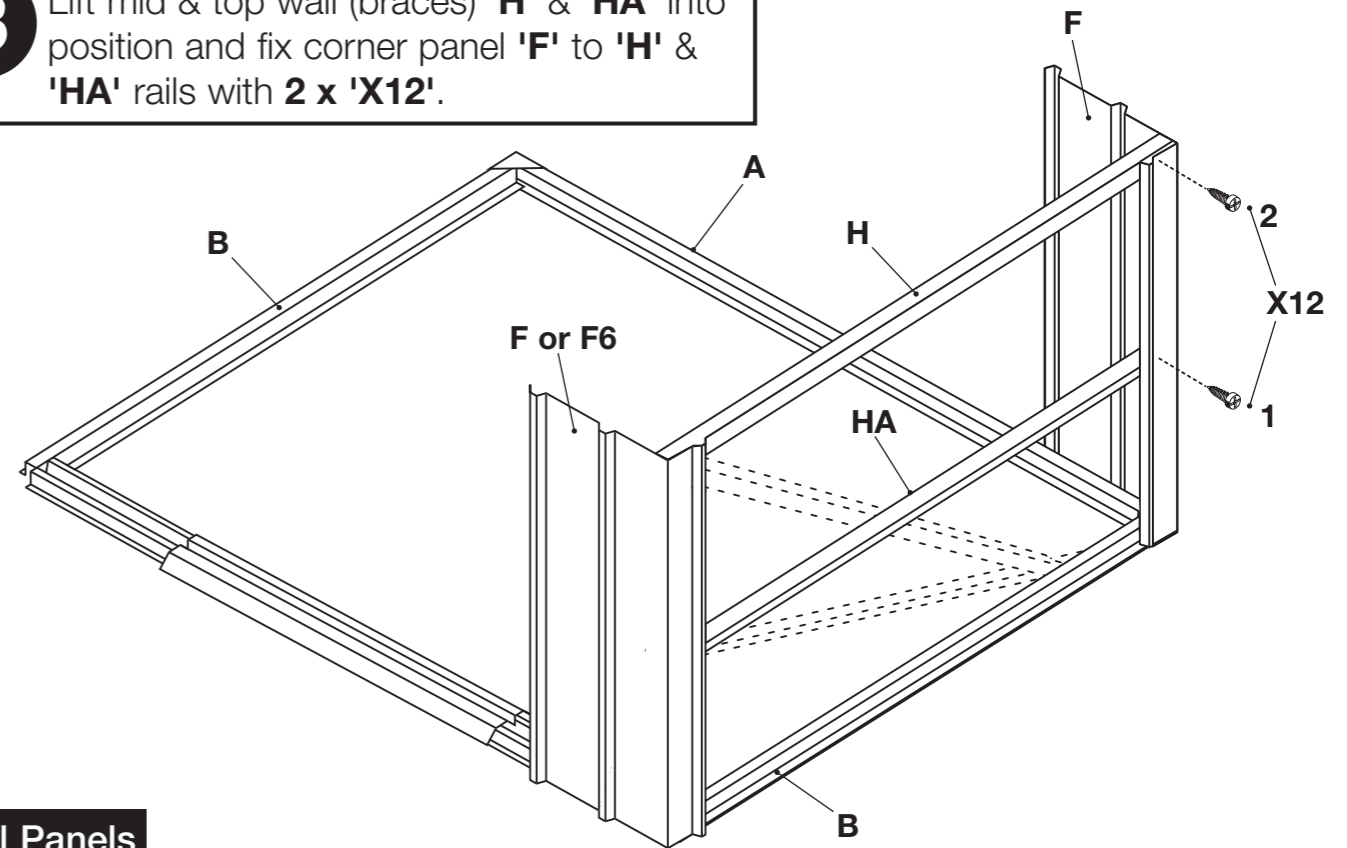
Screw Gables to top rail as shown for front gable.

**Note:** There is no **X26** brackets for back gable assembly.



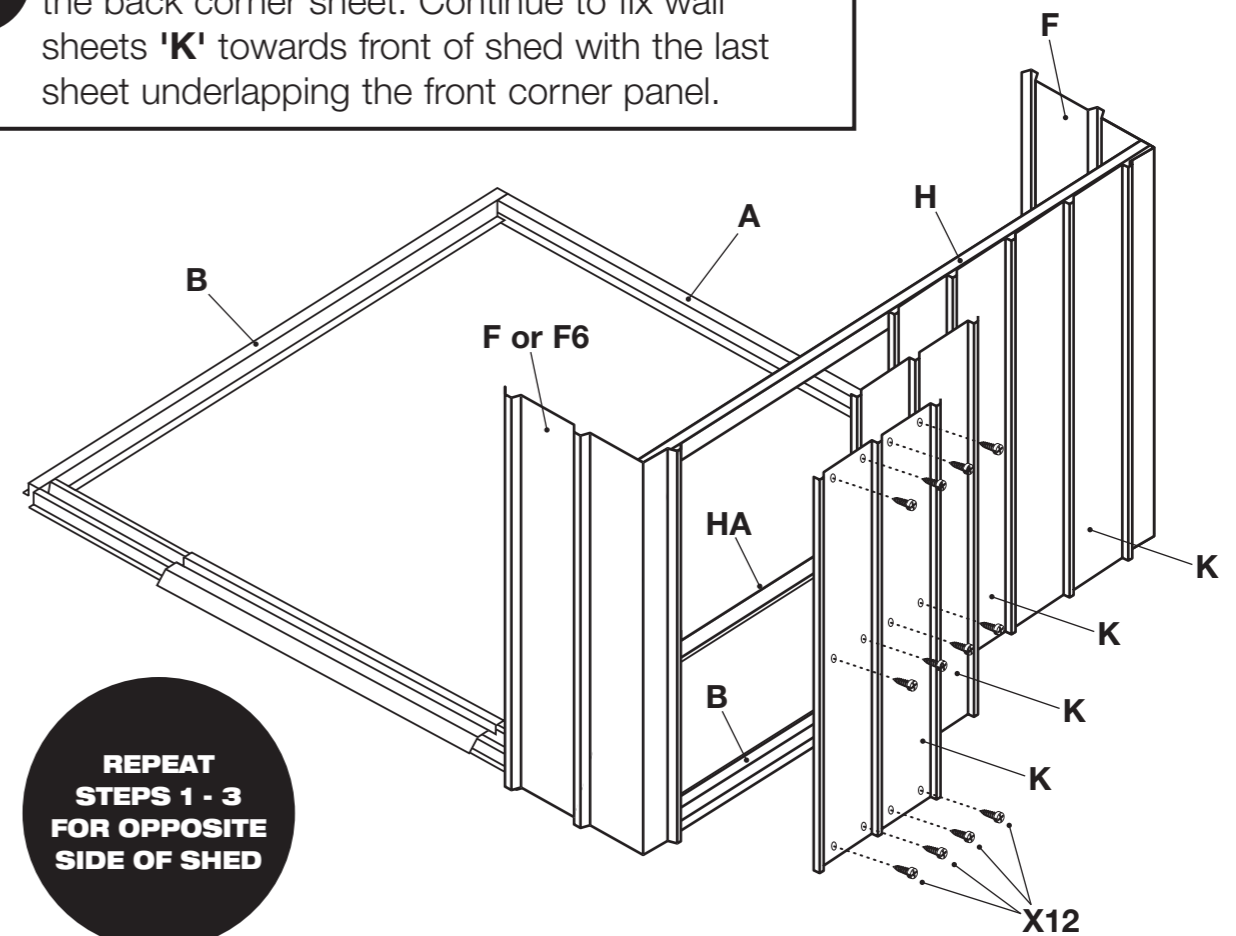
# STEP 3 - Continued

**3** Lift mid & top wall (braces) 'H' & 'HA' into position and fix corner panel 'F' to 'H' & 'HA' rails with 2 x 'X12'.



## Wall Panels

**4** Fix wall sheet 'K' to the side of shed overlapping the back corner sheet. Continue to fix wall sheets 'K' towards front of shed with the last sheet underlapping the front corner panel.



**REPEAT  
STEPS 1 - 3  
FOR OPPOSITE  
SIDE OF SHED**

# STEP 3 - Continued

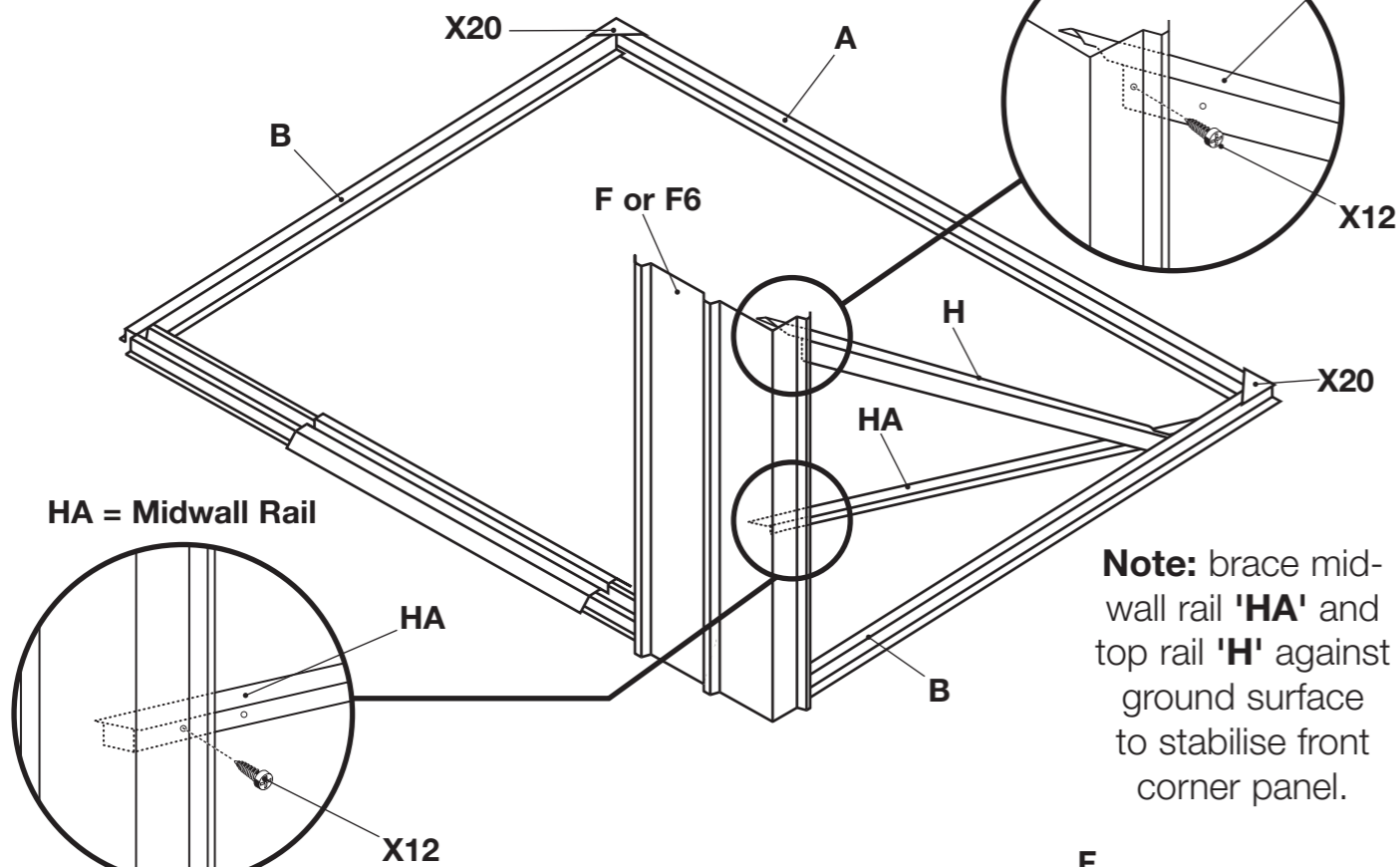
Mid-Wall Brace

Top-Wall Brace

Corner Panels

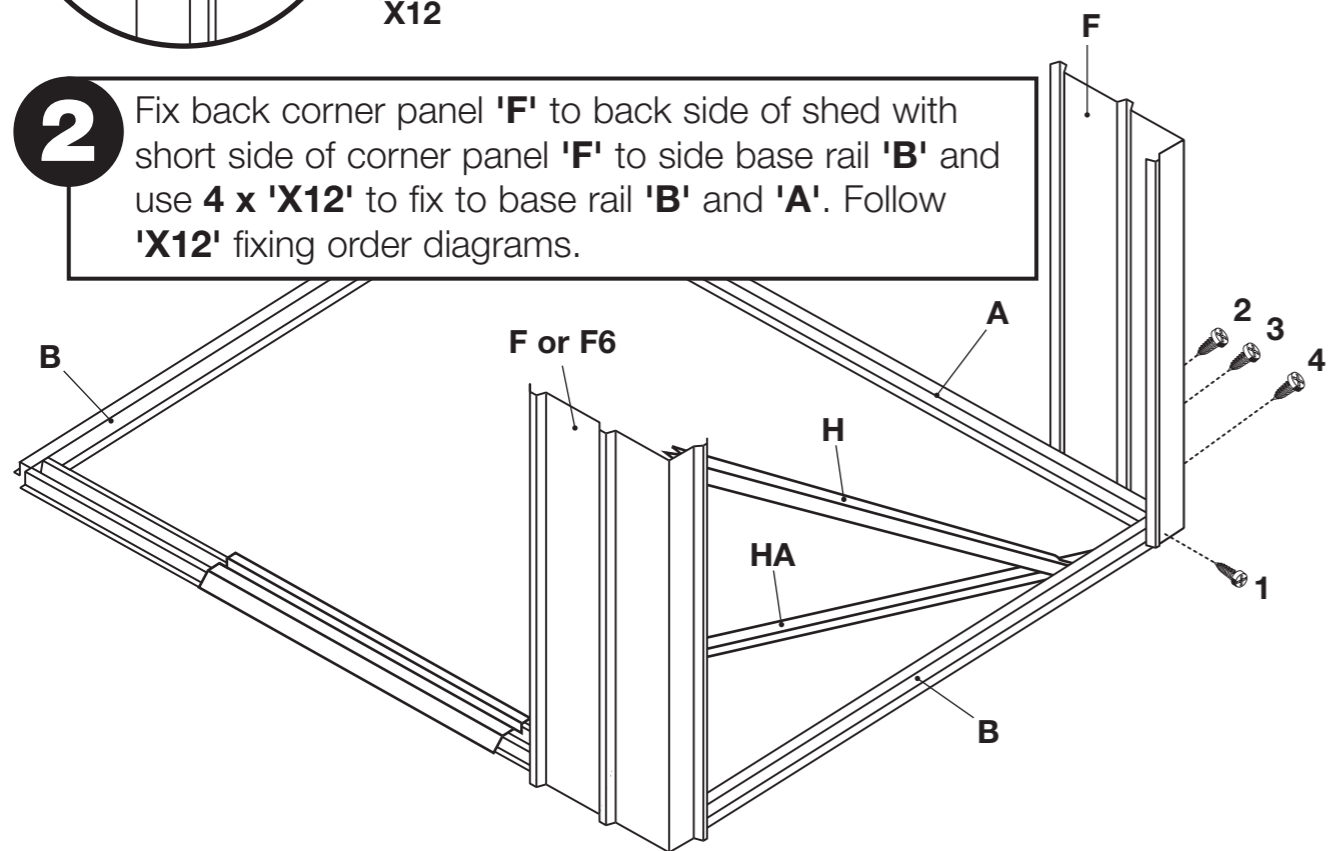
**1** Fix top rail 'H' and mid-wall rail 'HA' to front corner 'F' (or 'F6') to stabilise front corner before fitting back corners.

**H = Top Rail**  
Curved side of H rail for roof fixing, flat side for wall fixing



**Note:** brace mid-wall rail 'HA' and top rail 'H' against ground surface to stabilise front corner panel.

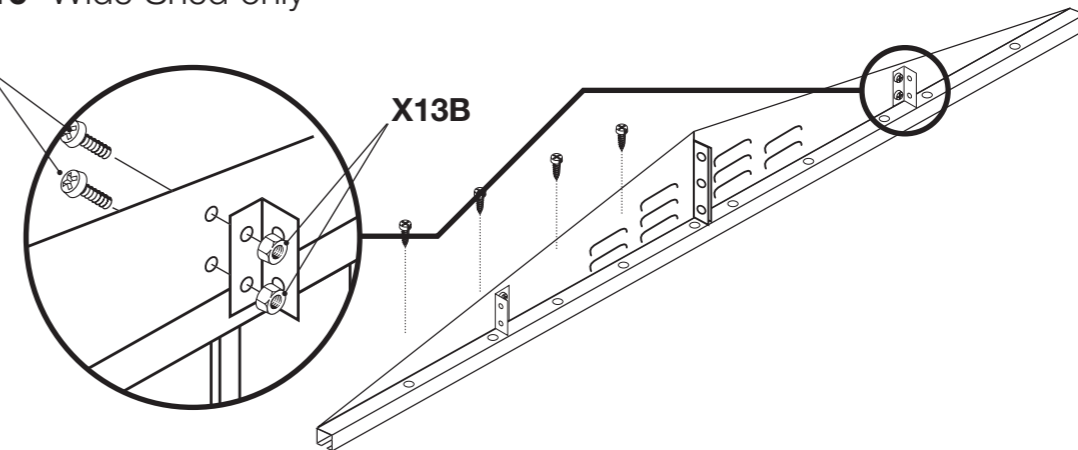
**2** Fix back corner panel 'F' to back side of shed with short side of corner panel 'F' to side base rail 'B' and use 4 x 'X12' to fix to base rail 'B' and 'A'. Follow 'X12' fixing order diagrams.



# STEP 1 - Continued

**Note:** X15A Gable Brackets for 10' Wide Shed only

X13

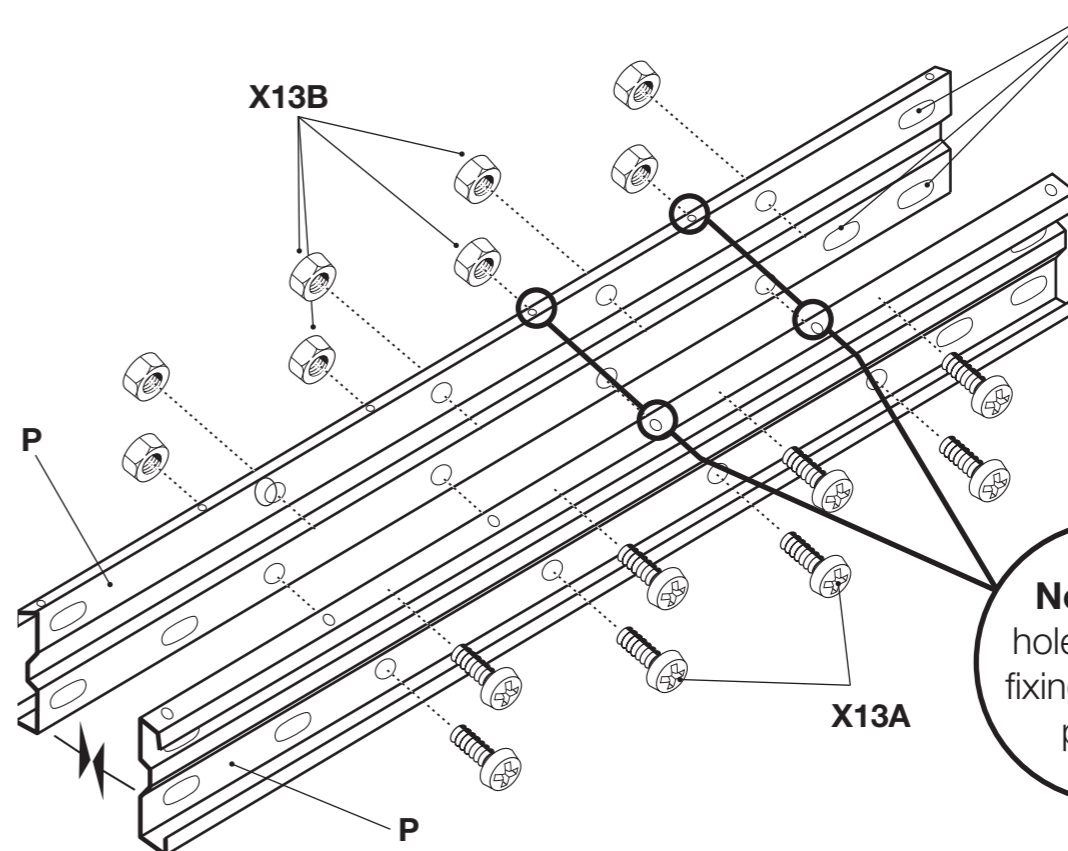


## Roof Beam

Quantity of part 'P' = 2 for 6' and 8' shed models.  
Join 2 x 'P' to create centre roof beam.

Quantity of part 'P' = 4 for 10' shed models.  
Join 2 x 'P' for centre roof beam  
Leave 2 x 'P' = 'P singles' for left and right roof beams.

**Note:** Leave the three slots at each end empty

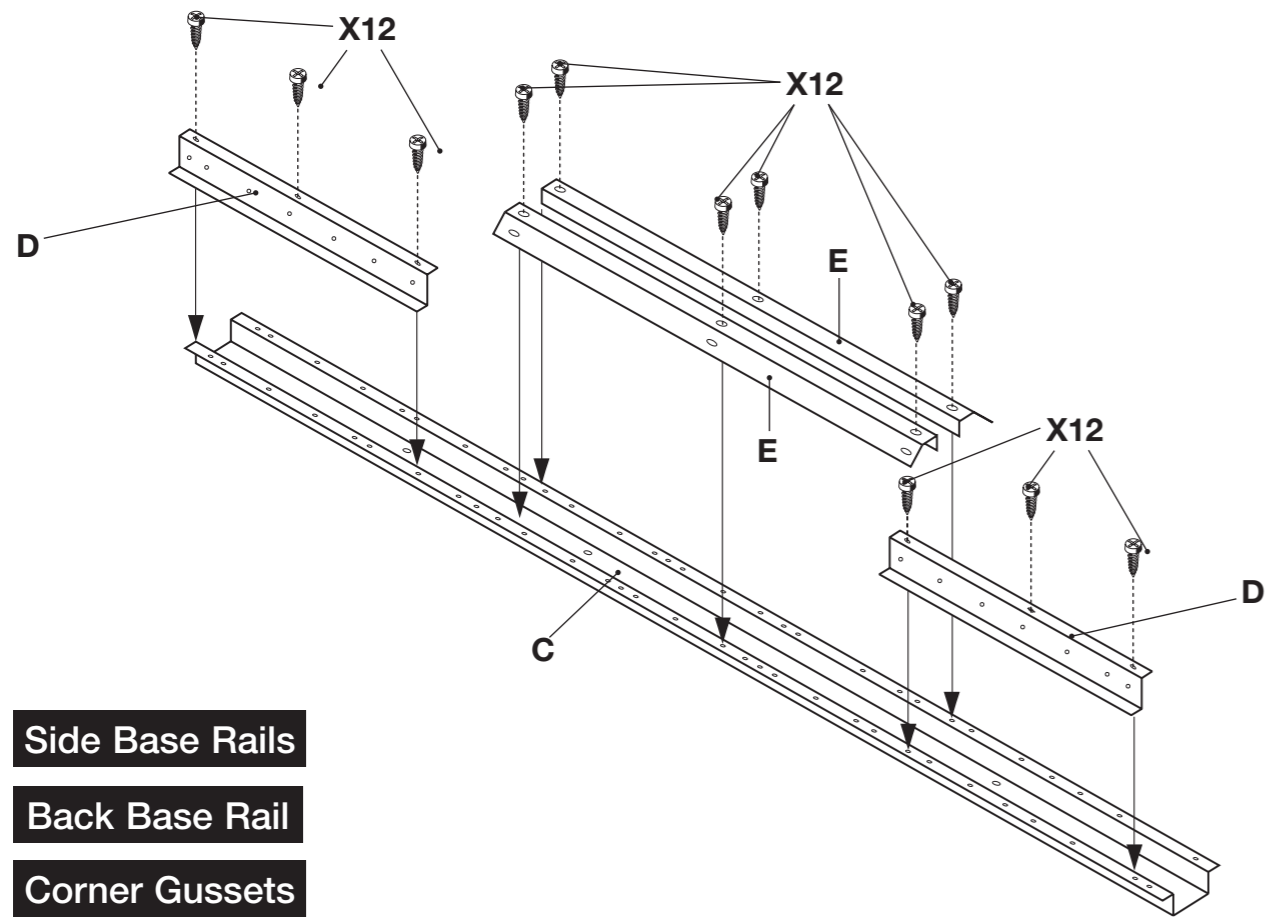


**Note:** Top holes for roof fixing must be parallel

# STEP 2

## BASE FRAME ASSEMBLY

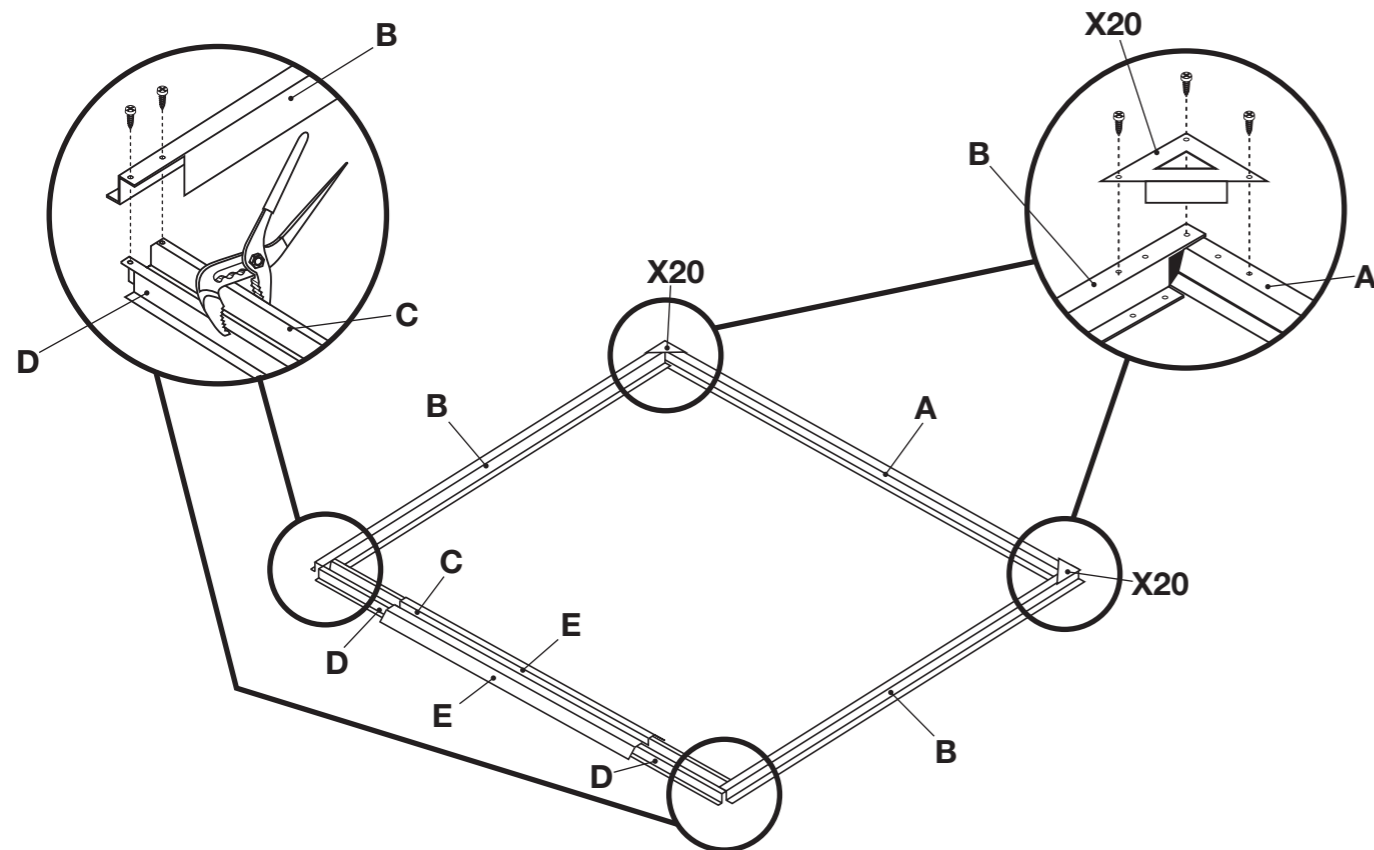
### Front Base Rail



### Side Base Rails

### Back Base Rail

### Corner Gussets

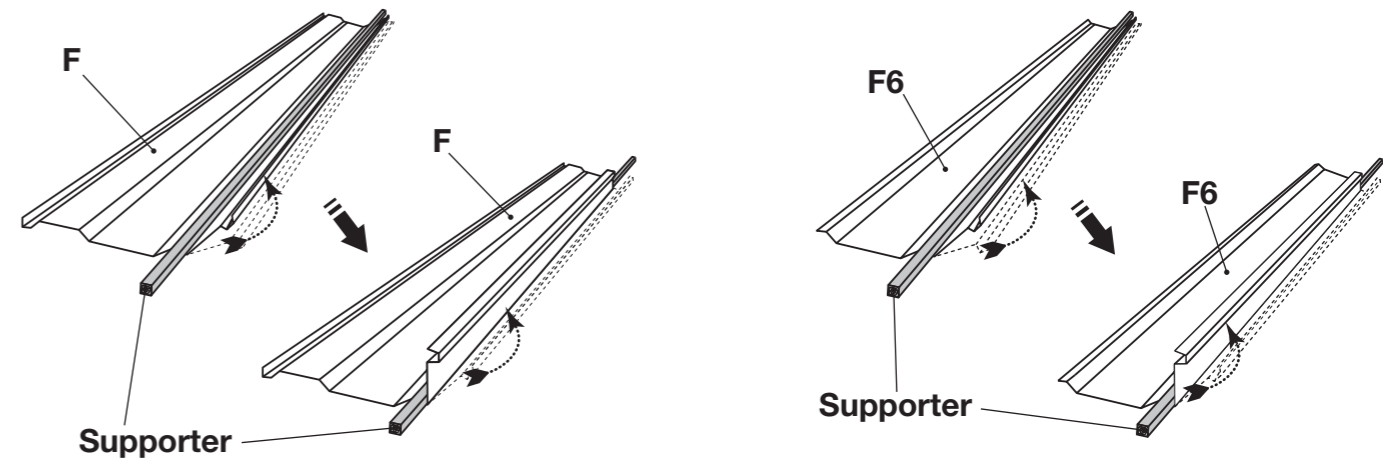


# STEP 3

## INSTALLING CORNER PANELS, MID & TOP WALL BRACES AND WALL PANELS

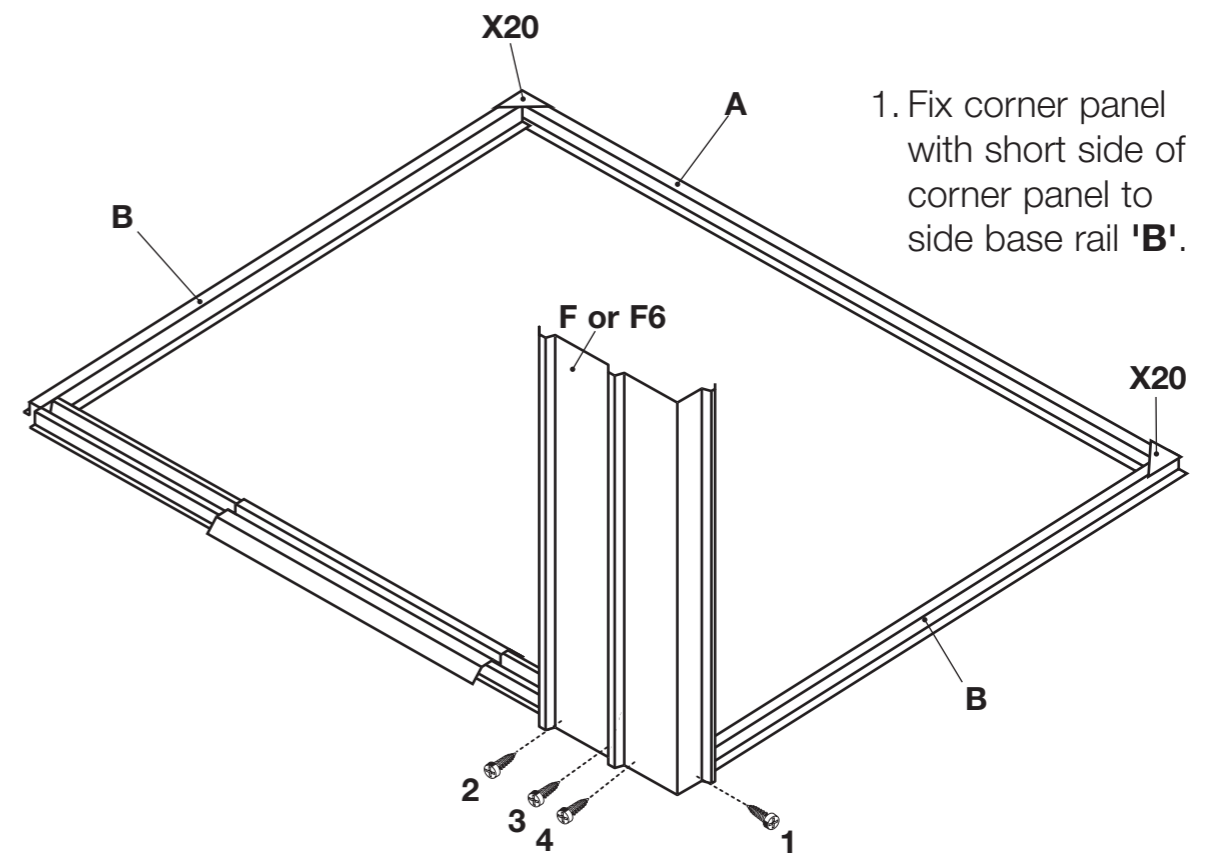
### Corner Panels - Packed in bottom of box

Corners 'F' and half corners 'F6' supplied with a 45° bend. With a supporter, bend the panels to 90°. Supporter not supplied (**Do not over bend**).



Use 'F' for all 8' and 10' shed models.

Use 'F6' (front half corner panel) for 6' shed models only.



1. Fix corner panel with short side of corner panel to side base rail 'B'.

**Note:** All corner panels must be screwed to base rails according to the order and position in the diagrams shown.

